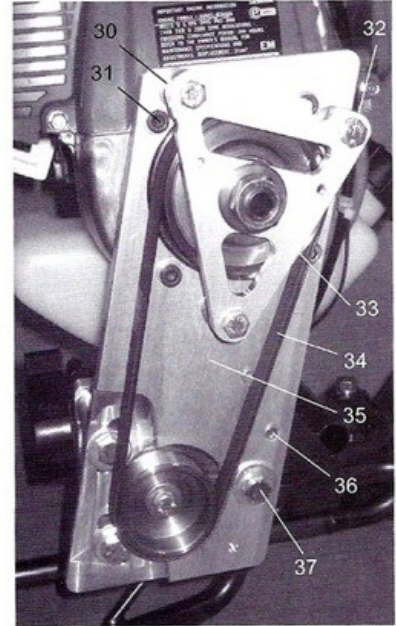
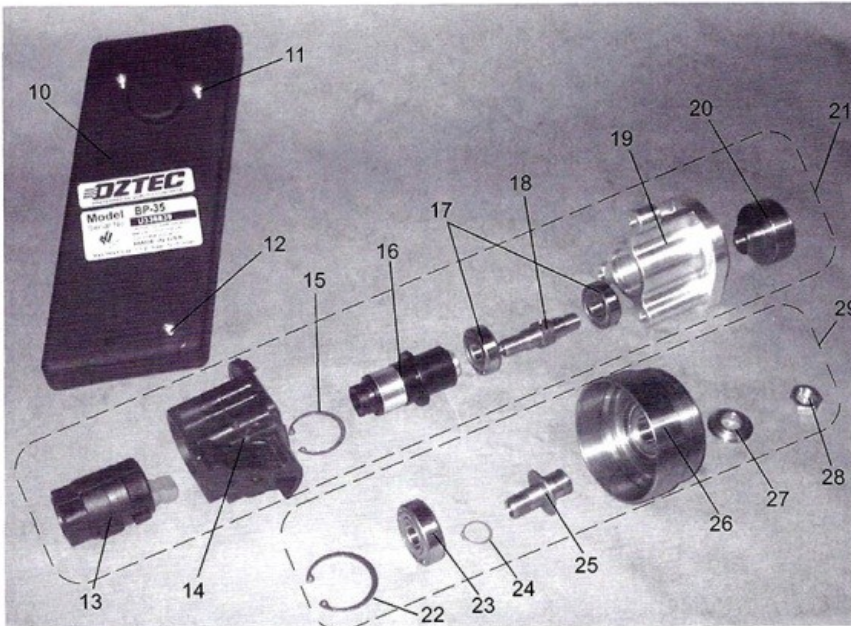


**BP-35 PARTS**



Ref.#	Description	Part #
1	BP35 FRAME	374AR1
2	BP35 SHOULDER STRAP ASSY.	478C1
3	BACKPACK PAD With VELCRO STRAP	45B1
4	BP35 STOP BUTTON & CABLE ASSY.	177M1
5	BP35 THROTTLE HANDLE & CABLE ASSY.	31F1
5a	BP35 THROTTLE HANDLE	388P2
6	BP35 THROTTLE ARM & ENGINE MOUNT	316AE1
7	RUBBER SHOCK MOUNTS (3)	319D1
8	BP35 SPIDER ASSY.	170H1
9	HONDA GX35NS3 GAS ENGINE, 35CC	6850AD1
10	BP35 BELT COVER	346M1
11	PAN SLOTTED HEAD SCREW 10-32*3/4" (2)	111D99
12	PAN SLOTTED HEAD SCREW 10-32*2" (1)	111D106
13	OZTEC QD CASING COUPLING ASSY.	217A1
14	OZTEC QD. CASING ADAPTER ASSY.	270MX1
15	SNAP RING, BEARING HOUSING	172C28
16	BP35 QD CORE ADAPTER ASSY.	271GT2
17	BP35 BEARING BLOCK BEARING KIT	230D1
18	BP35 BEARING BLOCK SPINDLE	228BX1
19	BP35 BEARING HOUSING ASSY.	398B1
20	BP35 DRIVEN PULLEY	265H1
21	BP35 COMPLETE DRIVEN BLOCK ASSY.	6750H1
22	SNAP RING, PULLEY BEARING	172D15
23	BEARING, CLUTCH PULLEY	207R4
24	SNAP RING, PULLEY HUB	172B23
25	BP35 CLUTCH PULLEY HUB	397E1
26	BP35 CLUTCH DRUM, DRIVER PULLEY	360D1
27	BP35 HUB WASHER	131W1
28	BP35 HUB LOCKING NUT	72G20
29	BP35 CLUTCH DRUM ASSY.	6150A1
30	BP35 PULLEY SUPPORT PLATE SPACERS (3)	462AP1
31	TRANS. MOUNTING PLATE SCREWS (4)	111R47
32	PULLEY SUPPORT PLATE SCREWS (3)	58A3
33	BP35 PULLEY SUPPORT PLATE, TRIANGULAR	366CE1
34	BP35 POLY-V BELT 6 GROOVE	37D3
35	BP35 TRANSMISSION MOUNTING PLATE	386CF1
36	MOUNTING BRACKET SCREWS (2)	58A28
37	BEARING BLOCK HOUSING SCREWS (3)	58A29



NOTE: ALL PARTS ARE INTERCHANGEABLE WITH BP-31, EXCEPT THE ENGINE.  
ALL REQUIRED HARDWARE IS INCLUDED WITH EACH PART.