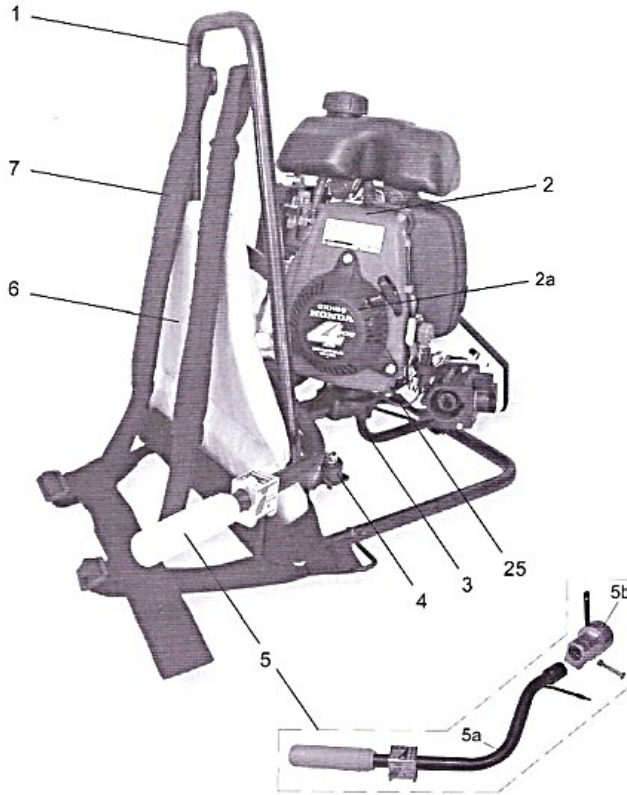
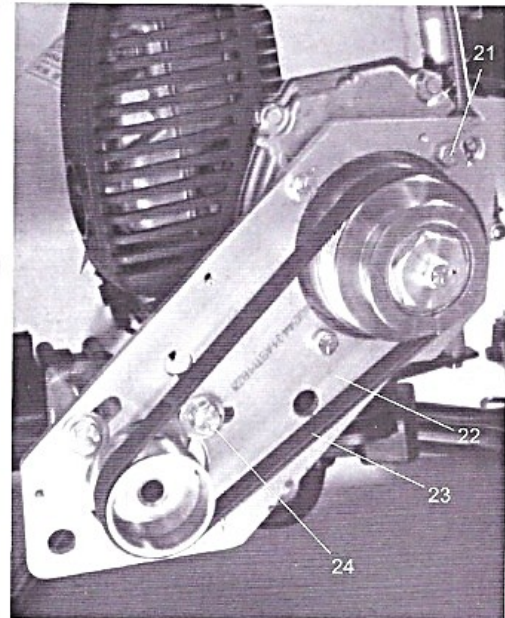
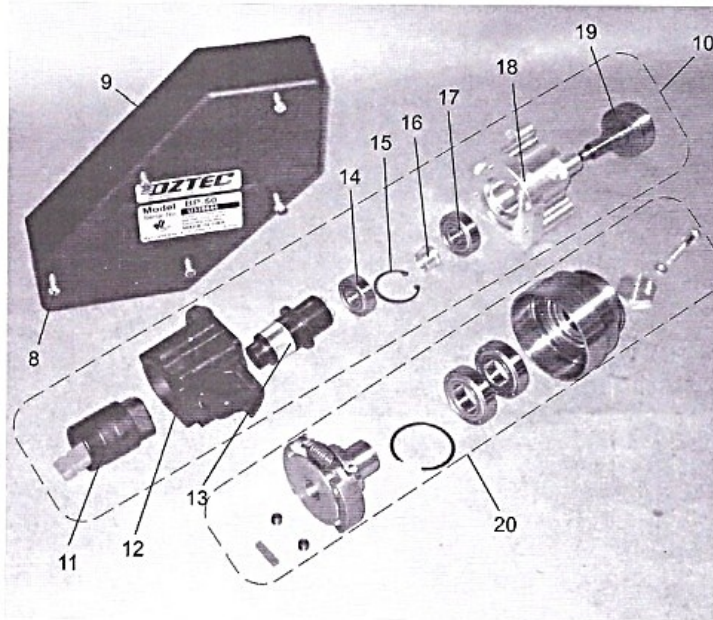


BP-50a PARTS



Ref.#	Description	Part #
1	BP-31, BP-40, BP-50 FRAME	374AR1
2	HONDA GXH-50 4-STROKE ENGINE	6850X1
2a	BP-50 RECOIL STARTER	RECOIL50
3	BP-50 (RT) SPIDER ASSEMBLY	170D2
4	BP RUBBER SHOCK MOUNTS (3)	319D1
5	BP-50LH THROTTLE ASSY. COMPLETE	31G1
5a	BP LH ROTARY THROTTLE ARM ASSY.	316AG1
5b	BP LH THROTTLE CONTROL BOX ASSY.	399A1
6	BACKPACK PAD With VELCRO STRAP	45B1
7	BACKPACK SHOULDER STRAP ASSY.	478C1
8	10-32 x 1 3/4" PAN HEAD SCREW (5)	111N105
9	BP-50 BELT GUARD	346P1
10	BP-50 COMPLETE DRIVEN BLOCK ASSY.	6750G1
11	OZTEC QD CASING COUPLING ASSY.	217A1
12	OZTEC QD CASING ADAPTER ASSY.	270MX1
13	OZTEC QD CORE ADAPTER ASSY.	271GT1
14	BEARING (6202-ZZ)	207R3
15	SNAP RING, BEARING HOUSING	172C28
16	BP-50 BEARING BLOCK SPACER	462BE1
17	BEARING (6203-ZZ)	207R4
18	BP-50 BEARING HOUSING ASSY.	398D1
19	BP-50 DRIVEN PULLEY	265K1
20	BP-50 COMPLETE CLUTCH ASSY.	363A1
21	TRANS. PLATE SCREW 1/4-28 x 3/4" (4)	58B3
22	BP-50 TRANSMISSION MOUNTING PLATE	386CK1
23	BP-50 POLY-V BELT, 6 GROOVE	37D3
24	BEARING BLOCK HOUSING SCREWS (3)	58A28
25	BP-50 ENGINE MOUNT, LH STYLE	316AH1



NOTE: MODEL BP-50 HAS BEEN DISCONTINUED, PARTS ARE AVAILABLE.
ALL REQUIRED HARDWARE IS INCLUDED WITH EACH PART.