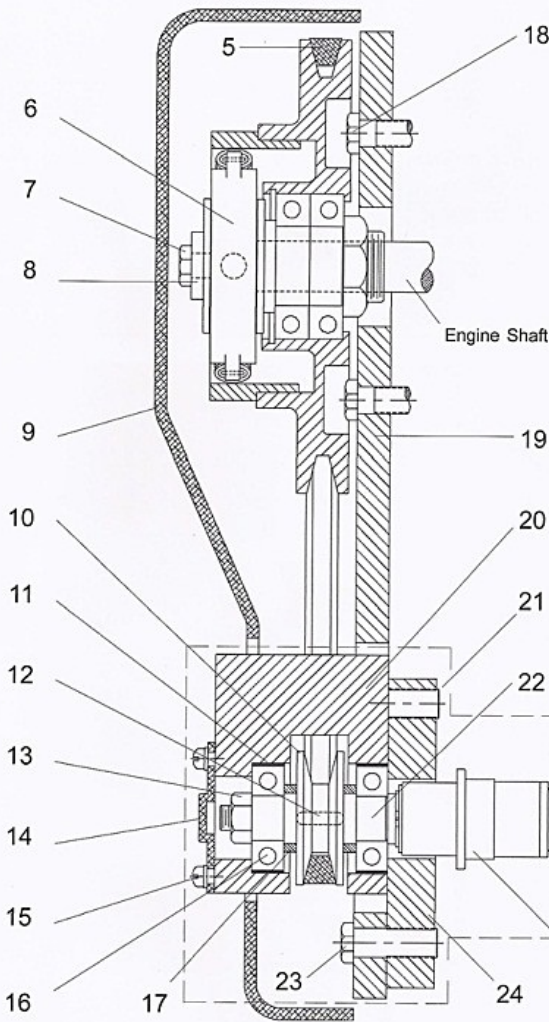
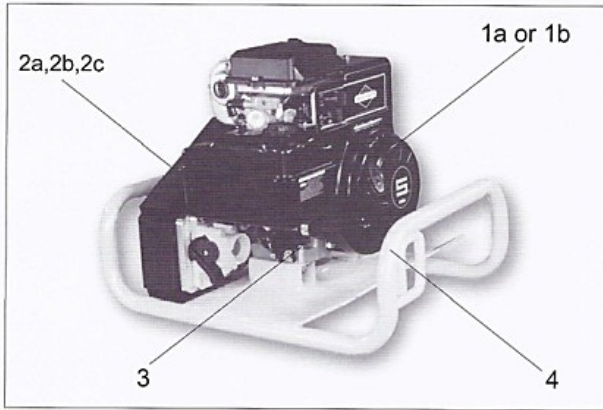


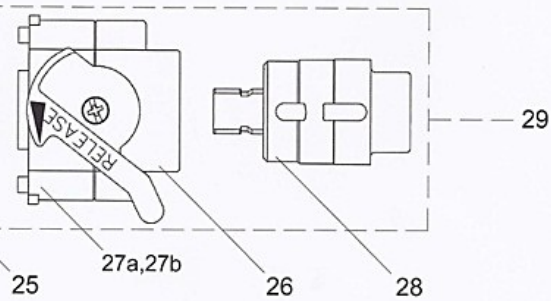
GV-5 PARTS



Ref.#	Description	Part #
1a	B&S 5.5 HP OHV GAS ENGINE	6850AA1
1b	HONDA 5.5 HP GAS ENGINE	6850AB1
2a	COVER BOLT (1), 1/4"-20 x 3 1/2"	58A15
2b	COVER BOLTS (2), 1/4"-20 x 2"	58A9
2c	COVER BOLT (1), 1/4"-20 x 1"	58A5
3	ENGINE BASE BOLTS, 5/16"-18 x 1 1/2"	58A32
4	GV-5 FRAME	374AS1
5	GV-5 BELT, GRIP NOTCH AX28	37F1
6	GV-5 PULLEY & CLUTCH ASSEMBLY	6925C1
7	HUB LOCKING BOLT, 5/16"-24 x 1 1/4"	58B31
8	HUB WASHER	131Y1
9	GV-5 BELT GUARD	346R1
10	GV-5 DRIVEN PULLEY	265L1
11	GV-5 TOLERANCE RING	173C1
12	MACHINE KEY, 3/16" x 3/16" x 5/8"	192A16
13	GV-5 SPINDLE NUT, OZTEC	72AR1
14	COVER	346B1
15	COVER SCREWS (4)	111P96
16	BEARINGS (2), 6203ZZE C3	207R4
17	GV-5 DRIVEN PULLEY SPACERS (2)	462BD1
18	MOTOR MOUNT BOLTS (4), 5/16"-18 x 1"	58A30
19	GV-5 MOUNTING PLATE	386CR1
20	GV-5 BEARING BLOCK	398E1
21	PIVOT PLATE SCREWS (4), 1/4"-20x1/2"	111E38
22	GV-5 DRIVEN SPINDLE	228CC1
23	PIVOT PLATE BOLTS (3), 5/16"-18 x 1 1/4"	58A31
24	GV-5 PIVOT BELT TENSION PLATE	386CP1
25	OZTEC QD CORE ADAPTER ASSY. GV-BP	271GT2
26	OZTEC QD CASING ADAPTER ASSY.	270MX1
27a	CASING ADAPTER SCREWS (3)	111P96
27b	CASING ADAPTER SCREW (1)	111P106
28	OZ QD COUPLER ASSY, SHAFT PIECE	217A1
-	OZTEC GV-5 QD KIT	OZQDKITGV5
29	GV-5 COMPLETE DRIVEN BLOCK ASSY.	6750J1

Note: For Non-QD (Threaded) Units, use the following Part Numbers:

25	CORE ADAPTER OZTEC GV-5	271HD1
26	CASING ADAPTER OZTEC OZ	270P2
28	NOT USED ON THREADED UNITS.	-



NOTE: ALL REQUIRED HARDWARE IS INCLUDED WITH EACH PART.