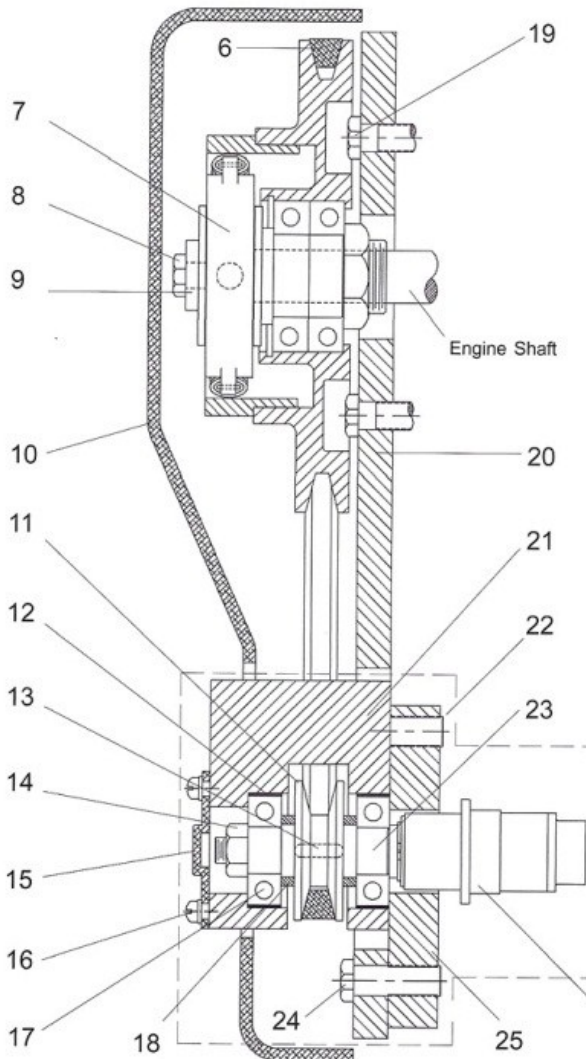
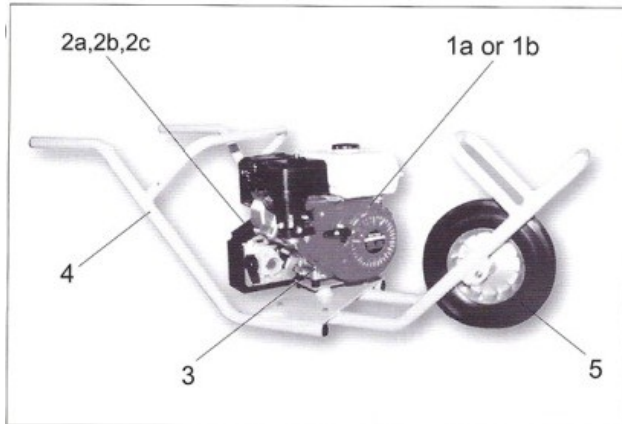


GV-5W PARTS



Ref.#	Description	Part #
1a	B&S 5.5 HP OHV GAS ENGINE	6850AA1
1b	HONDA 5.5 HP GAS ENGINE	6850AB1
2a	COVER BOLT (1), 1/4"-20 x 3 1/2"	58A15
2b	COVER BOLTS (2), 1/4"-20 x 2"	58A9
2c	COVER BOLT (1), 1/4"-20 x 1"	58A5
3	ENGINE BASE BOLTS, 5/16"-18 x 1 1/2"	58A32
4	GV-5W FRAME	374AT1
5	WHEEL, GV-5	290K1
6	GV-5 BELT, GRIP NOTCH AX28	37F1
7	GV-5 PULLEY & CLUTCH ASSEMBLY	6925C1
8	HUB LOCKING BOLT, 5/16"-24 x 1 1/4"	58B31
9	HUB WASHER	131Y1
10	GV-5 BELT GUARD	346R1
11	GV-5 DRIVEN PULLEY	265L1
12	GV-5 TOLERANCE RING	173C1
13	MACHINE KEY, 3/16" x 3/16" x 5/8"	192A16
14	GV-5 SPINDLE NUT, OZTEC	72AR1
15	COVER	346B1
16	COVER SCREWS (4)	111P96
17	BEARINGS (2), 6203ZZE C3	207R4
18	GV-5 DRIVEN PULLEY SPACERS (2)	462BD1
19	MOTOR MOUNT BOLTS (4), 5/16"-18 x 1"	58A30
20	GV-5 MOUNTING PLATE	386CR1
21	GV-5 BEARING BLOCK	398E1
22	PIVOT PLATE SCREWS (4), 1/4"-20x1/2"	111E38
23	GV-5 DRIVEN SPINDLE	228CC1
24	PIVOT PLATE BOLTS (3), 5/16"-18 x 1 1/4"	58A31
25	GV-5 PIVOT BELT TENSION PLATE	386CP1
26	OZTEC QD CORE ADAPTER ASSY. GV-BP	271GT2
27a	CASING ADAPTER SCREWS (3)	111P96
27b	CASING ADAPTER SCREW (1)	111P106
28	OZTEC QD CASING ADAPTER ASSY.	270MX1
29	OZ QD COUPLER ASSY. SHAFT PIECE	217A1
--	OZTEC GV-QD KIT	OZQDKITGV5
30	GV-5 COMPLETE DRIVEN BLOCK ASSY.	6750J1

Note: For Non-QD (Threaded) Units, use the following Part Numbers:		
25	CORE ADAPTER OZTEC GV-5	271HD1
26	CASING ADAPTER OZTEC OZ	270P2
28	NOT USED ON THREADED UNITS.	--

NOTE: ALL REQUIRED HARDWARE IS INCLUDED WITH EACH PART.