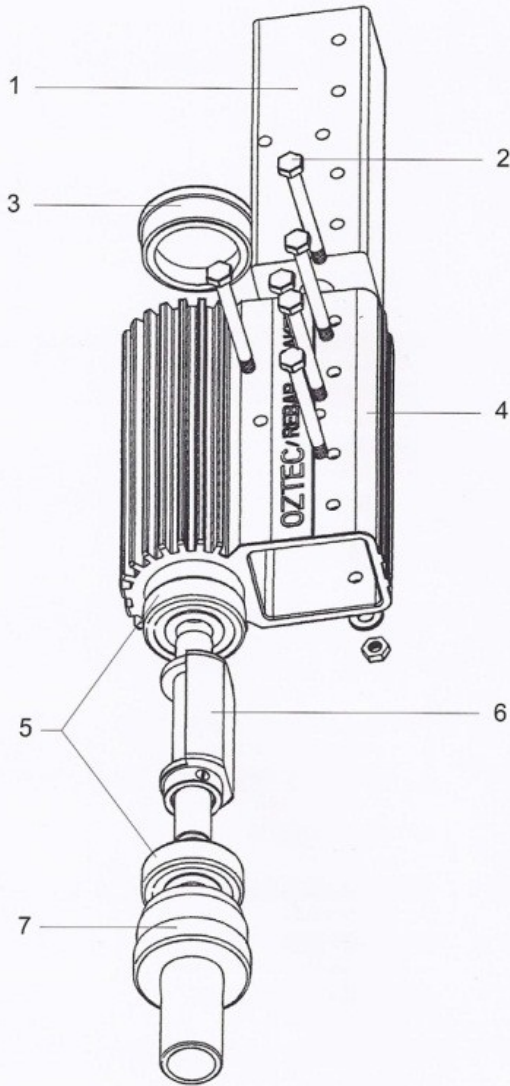
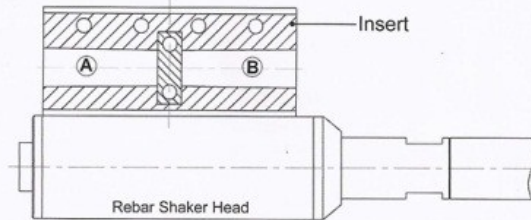


**REBAR SHAKER HEAD PARTS**



Ref.#	Description	Part #
1	REBAR SHAKER INSERT	See Chart
2	HEX HEAD SCREW, 1/4"-20 x 2 3/4" (5)	58A12
3	REBAR SHAKER END CAP	328M1
4	REBAR SHAKER EXTRUDED HOUSING	367AG1
5	REBAR SHAKER BEARING KIT *	230F1
6	REBAR SHAKER ROTOR ASSY.	4975A1
7	REBAR SHAKER CASING ADAPTER	270NV1

\* Bearings are run in by Oztec at the factory.



INSERTS AVAILABLE		
INSERT P/N.	REBAR # (Size)	
	A	B
RSI-44	# 4	# 4
RSI-56	# 5	# 6
RSI-55	# 5	# 5
RSI-66	# 6	# 6
RSI-77	# 7	# 7
RSI-88	# 8	# 8
RSI-78	# 7	# 8

NOTE: ALL REQUIRED HARDWARE IS INCLUDED WITH EACH PART.