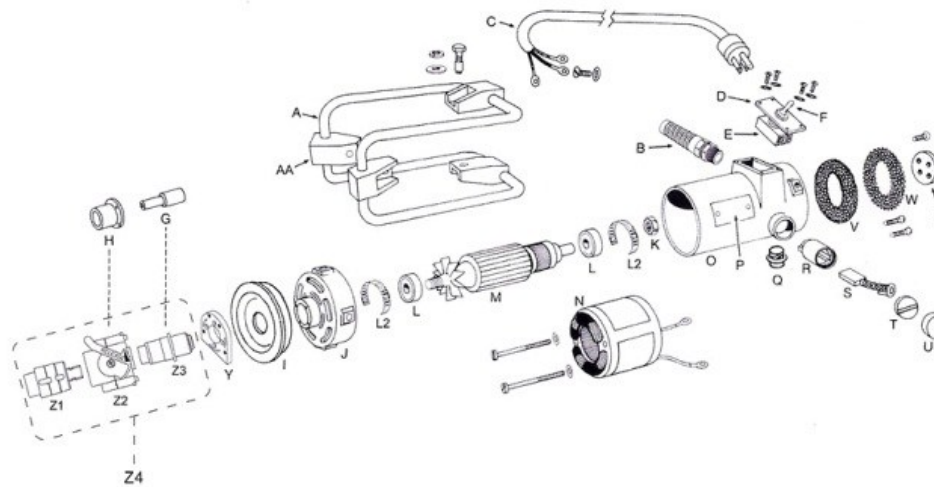


UL GROUND MOTOR PARTS



OZTEC MOTOR STYLE	G CORE ADAPTER	H CASING ADAPTER	K NUT
D	271F1	270AA1	72AJ1
JE	271S1	270M1	72AJ1
QE	271CX1	270EX1	72AJ1
CE	271FK1	270LB1	72AJ1
DP	271FA1	270KL1	72AJ1
ST	271M1	270S1	72AJ1
S	271C1	270N1	72AJ1
SS	271K2	270Y2	72AJ1
MM	271N3	270W1	72AH1
MV	271H1	270AC1	72AH1
M	271L1	270K1	72AH1
MK	271CP1	270EC1	72AJ1
OZ	271N3	270P2	72AH1
DVS	271N4	270P1	72AJ1
RL	271D2	270AB1	72AJ1
R	271P1	270AB1	72AJ1
T	271N2	270T1	72AJ1
TT	271V1	270AD1	72AJ1
V	271N4	270R1	72AJ1
W	271D1	270V1	72AH1
WW	271D1	270X1	72AH1
WS	271EV1	270V1	72AH1
WL	271EV1	270X1	72AH1

ALL CORE ADAPTERS \$ 28.72
 ALL CASING ADAPTERS \$ 33.51
 EXCEPT TYPE SS (QD) \$ 55.52
 NYLON INSERT LOCKNUT \$ 1.28

NOTE: CORD ASSEMBLY [PART No. 174J1] IS "TWIST LOCK" TYPE - NEMA CODE L5-20P.

Ref. #	Description	MODEL 1.2		MODEL 1.8		MODEL 2.4		MODEL 3.2	
		Part #		Part #		Part #		Part #	
A	FRAME ASSEMBLY	6825A1		6825A2		6825A2		6825A3	
AA	SHOCK MOUNT	319B2		319A2		319A2		319A2	
B	THREADED STRAIN RELIEF ASSY.	334D2		334D2		334D2		334D2	
C	CORD ASSEMBLY	174BF1		174BF1		174BG1		174BG1	
D	115V SWITCH PLATE ASSEMBLY 115V	102A2		102A4		102A6		102A8	
	230V SWITCH PLATE ASSEMBLY 230V	N/A		102A5		102A7		102A9	
E	SWITCH	177A1		177A1		177A1		177A1	
F	RUBBER BOOT (SWITCH)	34A1		34A1		34A1		34A1	
G & H	CORE & CASING ADAPTER	SEE CHART		---		---		---	
I	BAFFLE ASSEMBLY	46G1		46G2		46G2		46G3	
J	END BELL	324A1		324B1		324B1		324C1	
K	NYLON INSERT LOCKNUT	SEE CHART		---		---		---	
L	BEARINGS (2)	207R1		207S1		207S1		207S1	
L2	TOLERANCE RING (2)	173D1		173E1		173E1		173E1	
M	115V ARMATURE 115V	6825B1		6825C1		6825D1		6825E1	
	230V ARMATURE 230V	N/A		6825C2		6825D2		6825E2	
N	115V FIELD 115V	221A1		221B1		221C1		221D1	
	230V FIELD 230V	N/A		221F1		221G1		221H1	
O	HOUSING	368J1		368K1		368K1		368L1	
	HOUSING, OLD STYLE STRAIN RELIEF	368A1		368B1		368B1		368C1	
P	NAME PLATE	NOT SOLD		---		---		---	
Q	ACCESS PORT PLUG	444C1		444C1		444C1		444C1	
R	BRUSH HOLDER	178A1		178A2		178A2		178A3	
S	BRUSH	240A1		240A2		240A2		240A3	
T	SCREW CAP	329B1		329B2		329B2		329B2	
U	PROTECTIVE CAP, THREADED	329E1		329E2		329E2		329E2	
*Non UL	PUSH-ON PROTECTIVE CAP	[*329A1]		[*329A2]		[*329A2]		[*329A2]	
V	FILTER	47A1		47A2		47A2		47A3	
W	FILTER SCREEN	49A1		49A2		49A2		49A3	
X	COVER	346B1		346B1		346B1		346B1	
Y	Q.D. SPACER	462AM1		462AM1		462AM1		462AM1	
Z1	OZ QD CASING COUPLING ASSY.	217A1		217A1		217A1		217A1	
Z2	OZTEC QD CASING ADAPTER ASSY.	270MX1		270MX1		270MX1		270MX1	
Z3	OZTEC QD CORE ADAPTER ASSY.	271GT1		271GT1		271GT1		271GT1	
Z4	OZTEC QD KIT	OZQDKIT		OZQDKIT		OZQDKIT		OZQDKIT	

NOTE: ALL REQUIRED HARDWARE IS INCLUDED WITH EACH PART.