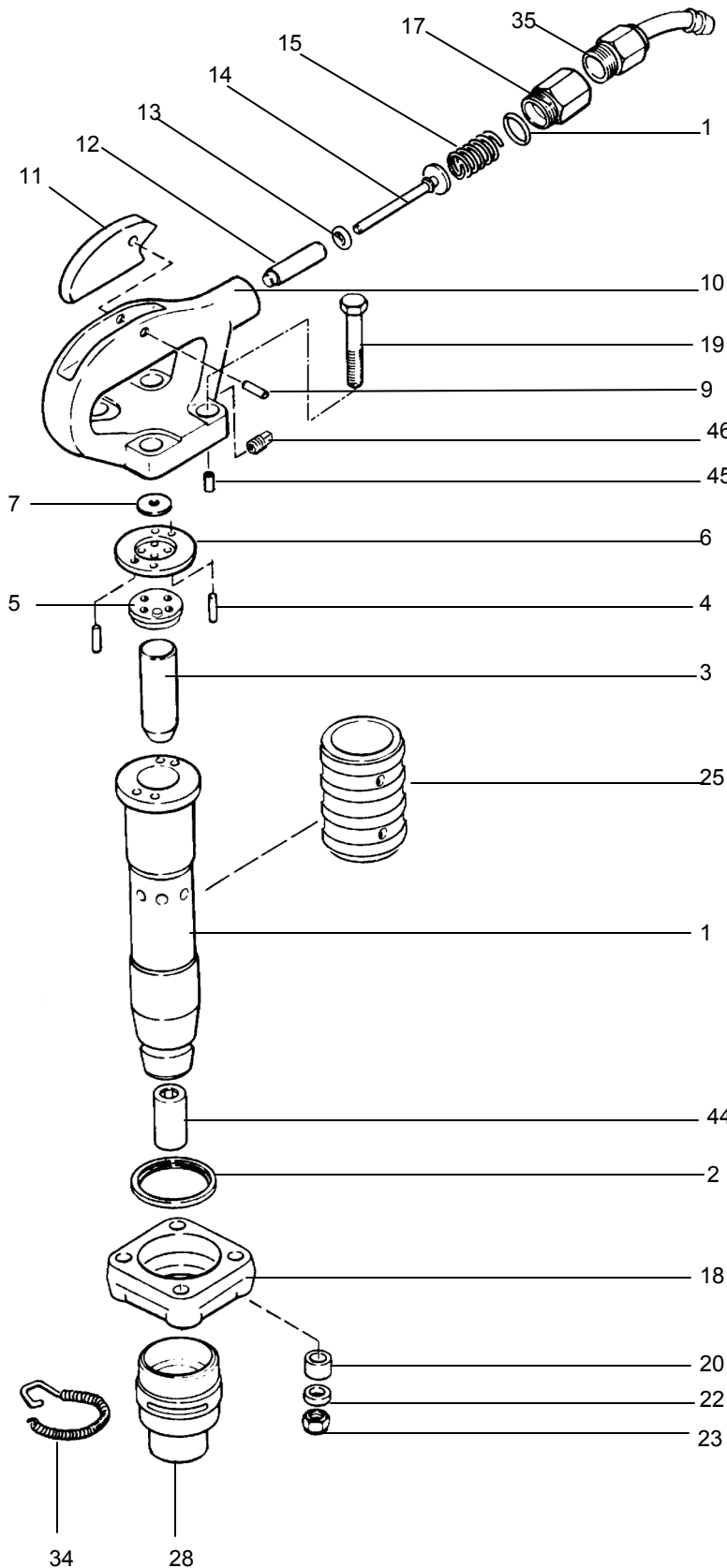


# CHIPPING HAMMER

# CP 4133- 4



INDEX	PART NUMBER	DESCRIPTION	
1	9245-9983-62	BARREL 4"	
2	9245-9963-10	LOCK RING BUMPER	
3	9245-9963-63	PISTON 4"	
4	9245-9964-25	VALVE DOWEL PIN ( 2 )	
5	9245-9963-60	BUMPER VALVE SEAT	
6	9245-9983-65	VALVE SPACER	
7	9245-9963-50	VALVE PLATE	
9	9245-9964-20	LEVER FULCRUM PIN	
46	10	9753-2284-52	HANDLE BARE
45	NS	9753-2284-53	HANDLE COMPLETE
11	9245-9982-96	TRIGGER	
12	9245-9982-97	THROTTLE BUSHING	
13	9245-9982-89	THROTTLE VALVE O RING	
14	9245-9982-98	THROTTLE VALVE	
15	9245-9983-01	THROTTLE VALVE SPRING	
16	9245-9983-02	AIR INLET O RING	
17	9245-9983-00	AIR INLET BUSHING	
18	9245-9983-70	FLANGE	
19	9245-9983-71	HANDLE BOLT ( 4 )	
NS	9245-9983-72	BEVELED WASHER ( 4 )	
20	9245-9983-73	BUMPER WASHER ( 4 )	
22	9245-9983-74	BOLT SPACER ( 4 )	
23	9245-9983-75	HANDLE BOLT NUT ( 4 )	
25	9245-9964-40	EXHAUST DEFLECTOR (2pc)	
28	9247-9853-50	OVAL COLLAR RETAINER	
34	9245-9964-90	RETAINER SPRING	
35	9245-9965-00	SWIVEL ( 7/8 - 24 )	
44	9245-9965-80	ROUND BUSHING (.680")	
44	9245-9965-90	HEX BUSHING (.580")	
45	AFFIXED PART	5/16 " SET SCREW	
46	AFFIXED PART	1/8" NPT ALLEN PLUG	