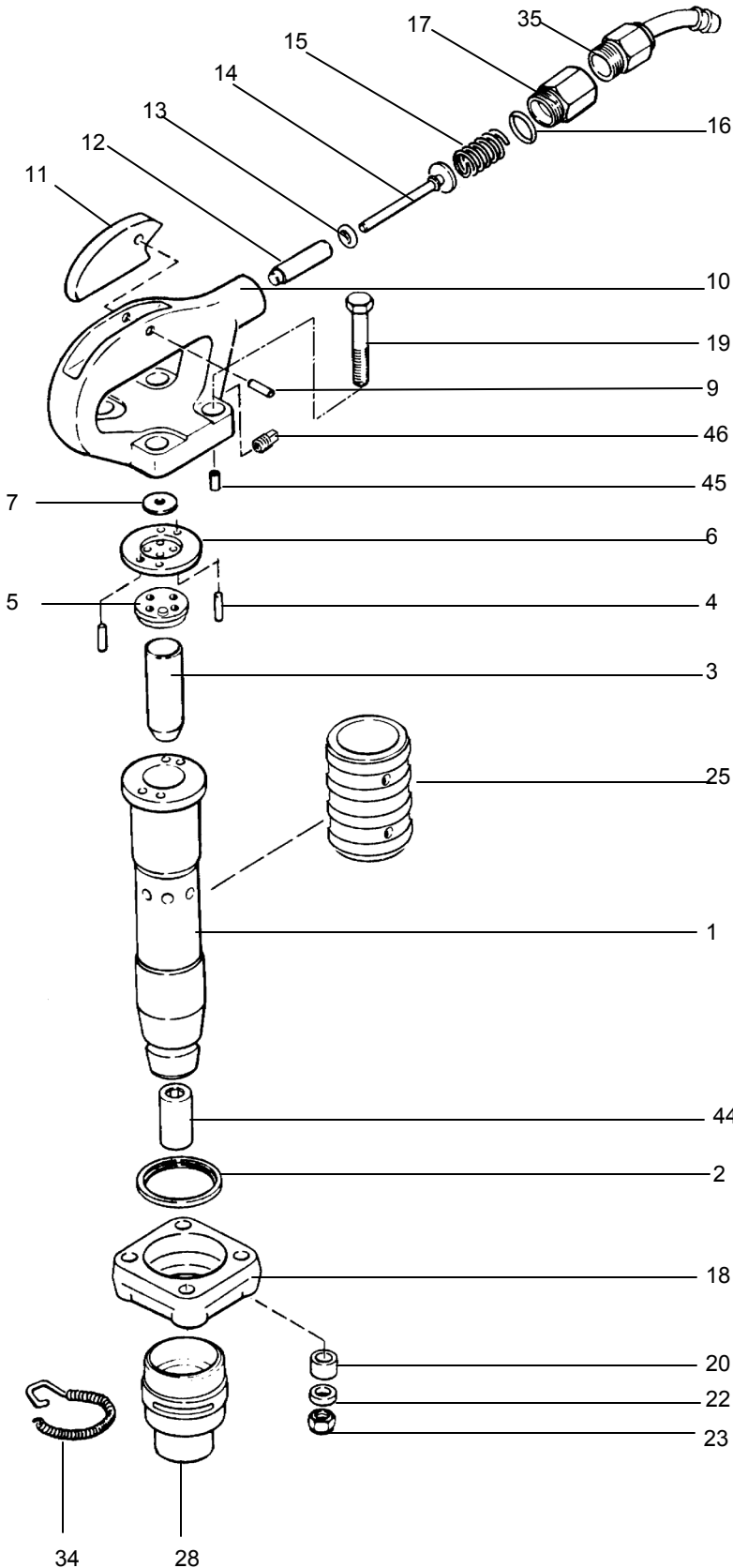


CHIPPING HAMMER

CP 4133



INDEX	PART NUMBER	DESCRIPTION
1	9245-9983-61	BARREL 3"
2	9245-9963-10	LOCK RING BUMPER
3	9245-9963-30	PISTON 3"
4	9245-9964-25	VALVE DOWEL PIN (2)
5	9245-9963-60	BUMPER VALVE SEAT
6	9245-9983-65	VALVE SPACER
7	9245-9963-50	VALVE PLATE
9	9245-9964-20	LEVER FULCRUM PIN
10	9753-2284-52	HANDLE BARE
NS	9753-2284-53	HANDLE COMPLETE
11	9245-9982-96	TRIGGER
12	9245-9982-97	THROTTLE BUSHING
13	9245-9982-89	THROTTLE VALVE O RING
14	9245-9982-98	THROTTLE VALVE
15	9245-9983-01	THROTTLE VALVE SPRING
16	9245-9983-02	AIR INLET O RING
17	9245-9983-00	AIR INLET BUSHING
18	9245-9983-70	FLANGE
19	9245-9983-71	HANDLE BOLT (4)
NS	9245-9983-72	BEVELED WASHER (4)
20	9245-9983-73	BUMPER WASHER (4)
22	9245-9983-74	BOLT SPACER (4)
23	9245-9983-75	HANDLE BOLT NUT (4)
25	9245-9964-40	EXHAUST DEFLECTOR (2pc)
28	9247-9853-50	OVAL COLLAR RETAINER
34	9245-9964-90	RETAINER SPRING
35	9245-9965-00	SWIVEL (7/8 - 24)
44	9245-9965-80	ROUND BUSHING (.680")
44	9245-9965-90	HEX BUSHING (.580")
45	AFFIXED PART	1/4 " SET SCREW
46	AFFIXED PART	1/8" NPT ALLEN PLUG