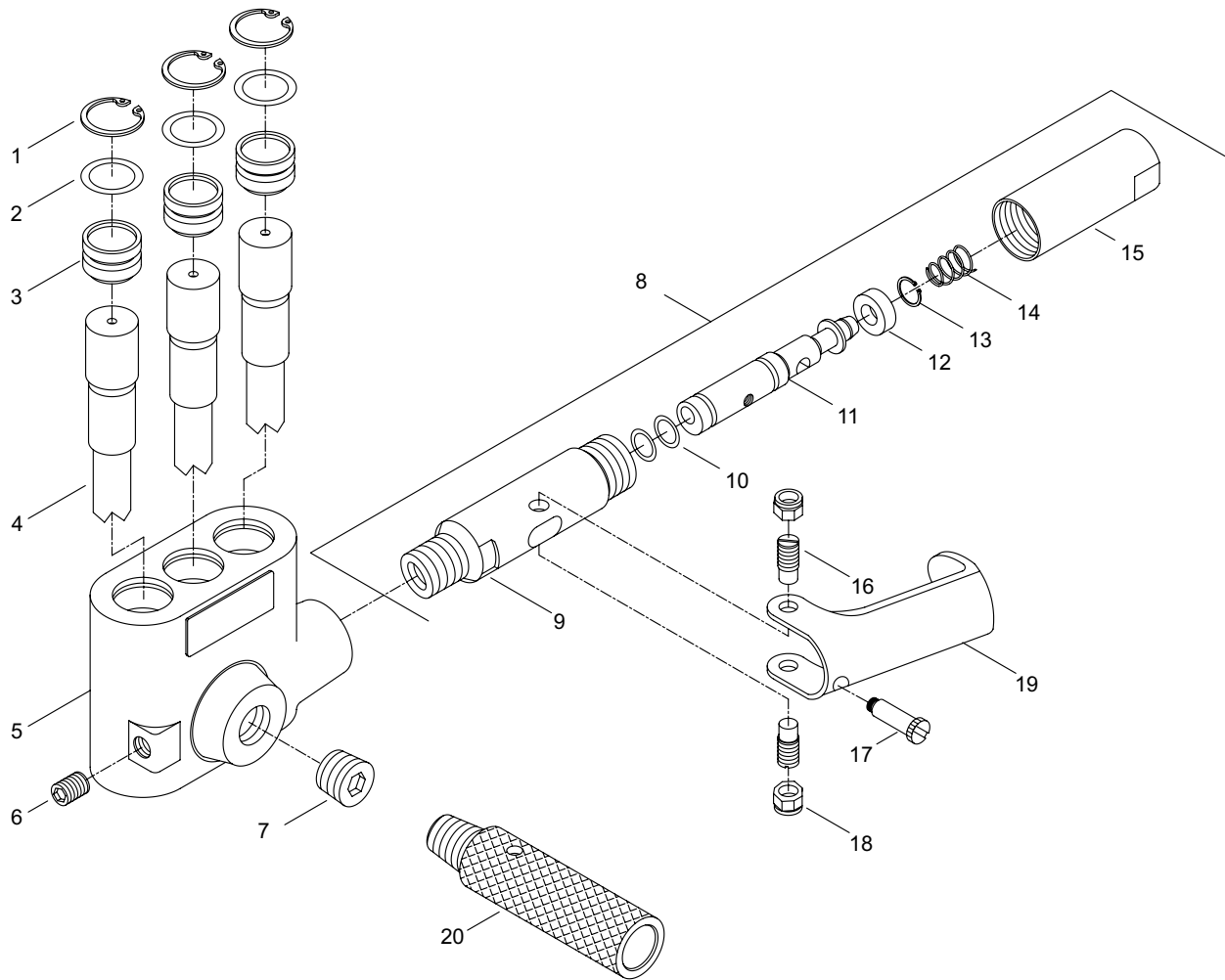


EXPLODED VIEW OF CP 0066



Ref. No.	Ordering No.	Qty.	Description
1	R147622	3	Circlip (Internal)
2	C083177	3	O-ring
3	R147614	3	Cylinder cap
4	R145921	3	Piston
5	R147611	1	Cylinder
6	R147616	1	Screw
7	C068064	1	Plug
8	R147915	1	Live air handle complete (Includes item No. 9 to 19)
9	R147607	1	Live air handle
10	A043001	2	O-ring
11	R147609	1	Throttle valve
12	R147618	1	Washer
13	R147619	1	Retaining ring
14	R147615	1	Spring
15	R147613	1	Inlet nipple
16	R147617	2	Screw
17	R147621	1	Slotted head screw
18	R147620	2	Nut
19	R147612	1	Lever
20	R147608	1	Dead handle