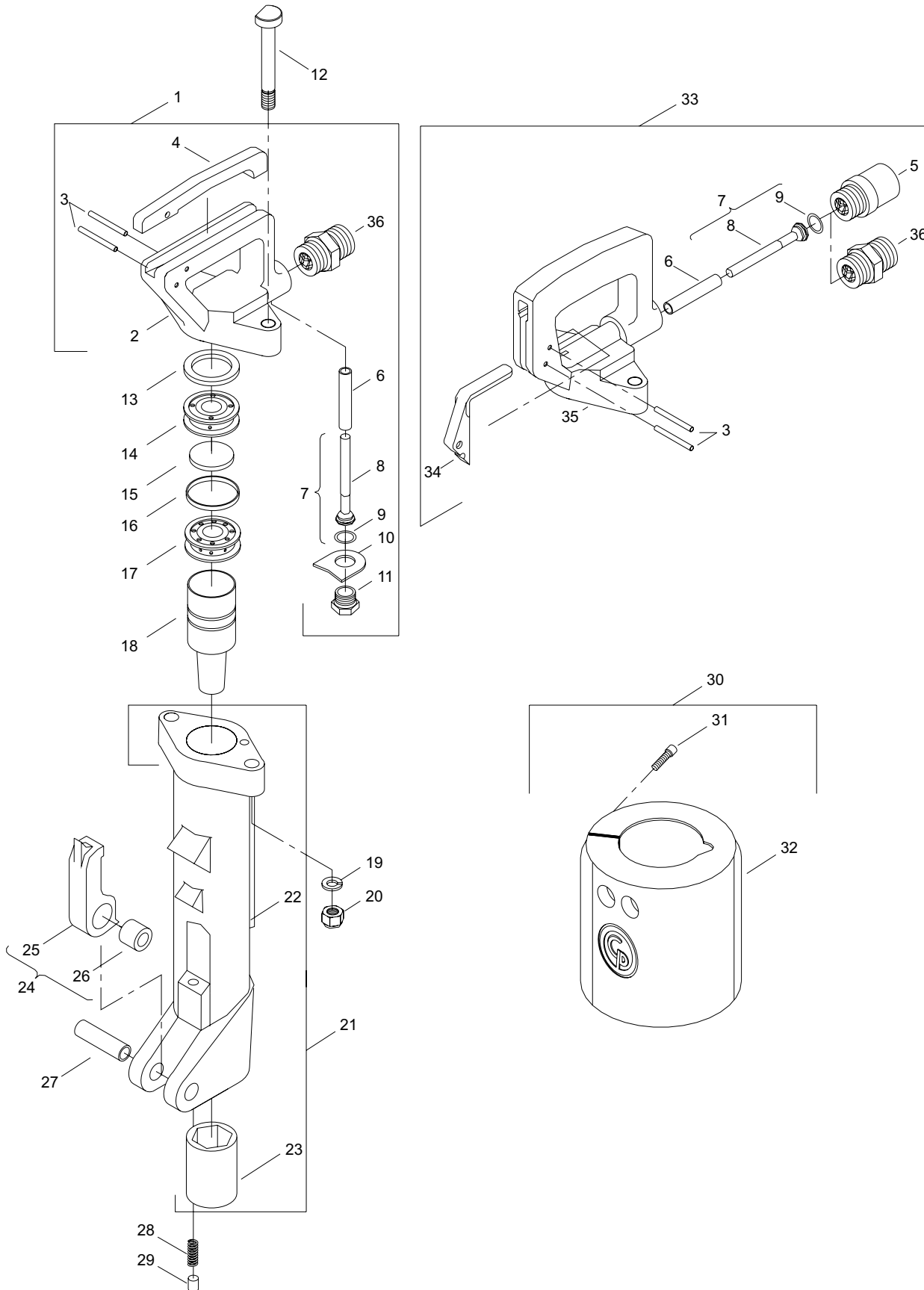


# EXPLODED VIEW OF CP 0222



Ref. No.	Ordering No.	Qty.	Description
CP 0222			
1	F815271	1	Outside trigger handle complete (Includes item No. 2, 3, 4, 6, 8, 9, 10, 11 & 36)
2		1	Handle - Outside trigger
3	R133757	2	Pin - Throttle lever
4	F815161	1	Lever - Outside trigger
5	F814130	1	Nipple - Air inlet NPT
6	F813910	1	Bush
7	F814812	1	Valve - Throttle (Includes item No. 8 & 9)
8		1	Valve - Throttle
9	P083071	1	O-ring
10	F814582	1	Washer - Tab
11	P814440	1	Plug - Throttle valve (Outside trigger)
12	F813911	2	Bolt - Handle
13	F813908	1	Pad - Valve case preload
14	F814774	1	Lid - Upper valve case
15	F012659	1	Valve
16	F814776	1	Case - Valve
17	F814775	1	Lid - Lower valve case
18	F815015	1	Piston
19	R000550	2	Lock washer (5/8 " )
20	P081091	2	Nut - Self locking (5/8 - 18)
21	F815268	1	Cylinder assembly (Includes item No. 22 & 23)
22		1	Cylinder
23	F813919	1	Sleeve - Tool
24	F815269	1	Retainer - Latch (Includes Item No. 25 & 26)
25		1	Retainer - Latch
26	F815174	1	Bushing - Latch
27	R133758	2	Pin - Latch Retainer (1/2 " Dia. X 2 1/2 " )
28	R086982	1	Spring-Retainer latch plunger
29	F813308	1	Plunger - Latch
30	R141765	1	Muffler (optional) (Includes item No. 31 & 32)
31	P072446	4	Screw - Hex socket (1/4 - 28 x 5/8)
32		1	Muffler
33	F815852	1	Inside - Trigger handle complete (Includes item No. 3, 5, 6, 8, 9, 34, 35)
34	F815167	1	Lever - Inside trigger
35	F815276	1	Handle - Inside trigger
36	F035769	1	Nipple - Air inlet (BSP)