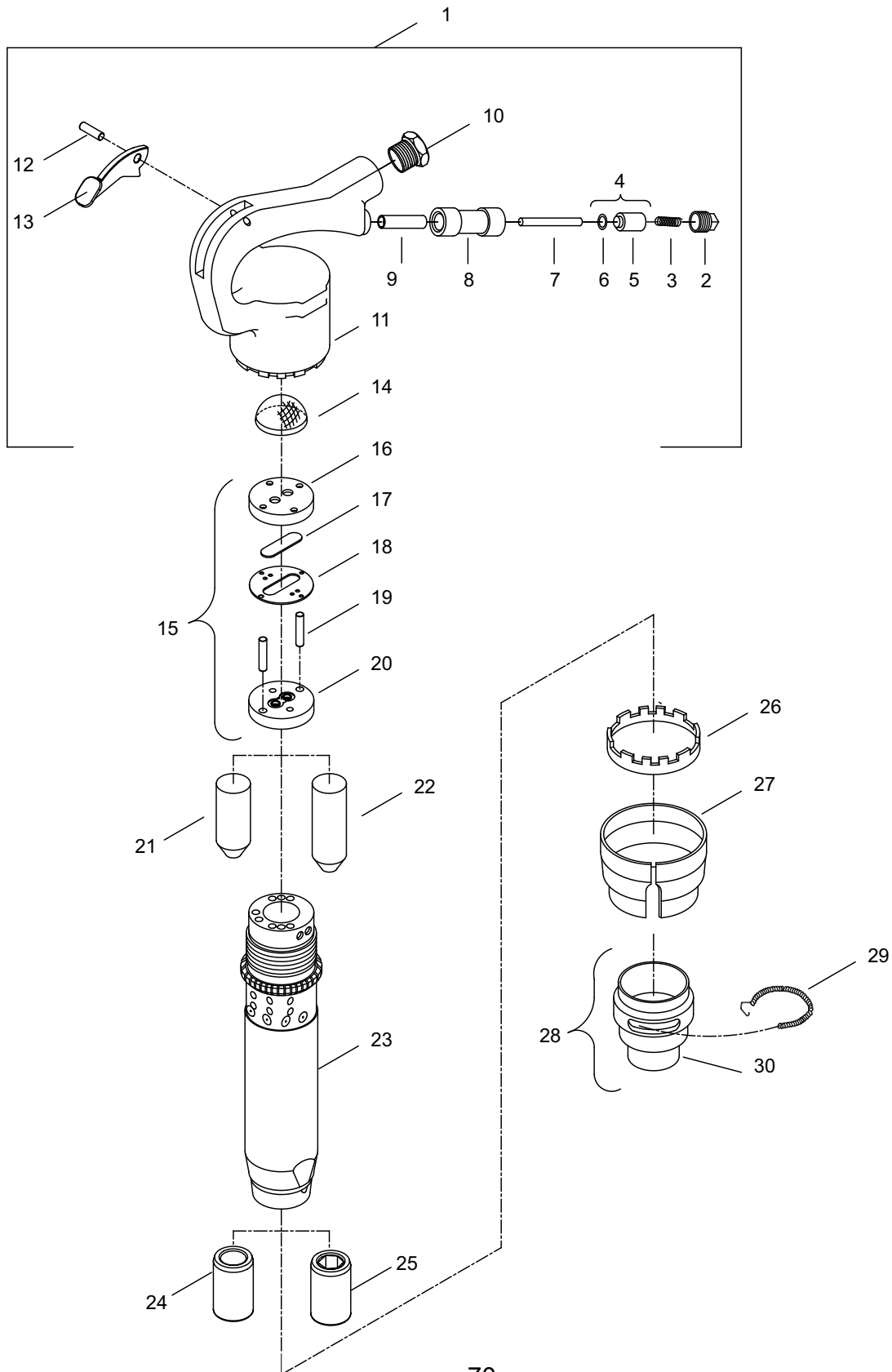


**EXPLODED VIEW OF CP 4123 2R, CP 4123 2H
CP 4123 3R, CP 4123 3H
CP 4123 4R, CP 4123 4H**



Ref. No.	Ordering No.	Qty.	Description
CP 4123 Chipping Hammer			
1	Z9983830	1	Handle assembly (Includes item No. 2, 3, 5, 6, 7, 8, 9, 10, 11, 12, 13 & 14)
2	P001873	1	Plug - Throttle valve
3	P001853	1	Spring - Throttle valve
4	P001768	1	Valve - Throttle complete (Includes item No. 5 & 6)
5		1	Valve - Throttle
6	P083071	1	O-ring
7	P070719	1	Pin - Throttle valve bush
8	P071318	1	Tube - Throttle valve
9	P070733	1	Bushing - Push pin
10	P009585	1	Bushing - Permanent
11		1	Handle
12	A043627	1	Pin - Throttle lever
13	P009818	1	Lever - Throttle
14	P092485	1	Screen
15	P077013	1	Valve case complete (Includes item No. 16, 17, 18, 19 & 20)
16	P071350	1	Lid - Upper valve case
17	P071358	1	Valve
18	P071352	1	Case - Valve
19	A041797	2	Pin - Dowel (7/32" x 7/8")
20	P071351	1	Lid - Lower valve case
21	P118662	1	Piston (for 2" or 3" stroke version)
22	P118678	1	Piston (for 4" stroke version)
23		1	Cylinder
24	P001550	1	Sleeve - Chisel (Round)
25	P001551	1	Sleeve - Chisel (Hex)
26	P128247	1	Collar - Lock
27	P071355	1	Shield - Lock
28	P107243	1	Sleeve - Retainer (Includes item No. 29 & 30)
29	P070994	1	Spring - Lock coil
30		1	Sleeve - Retainer