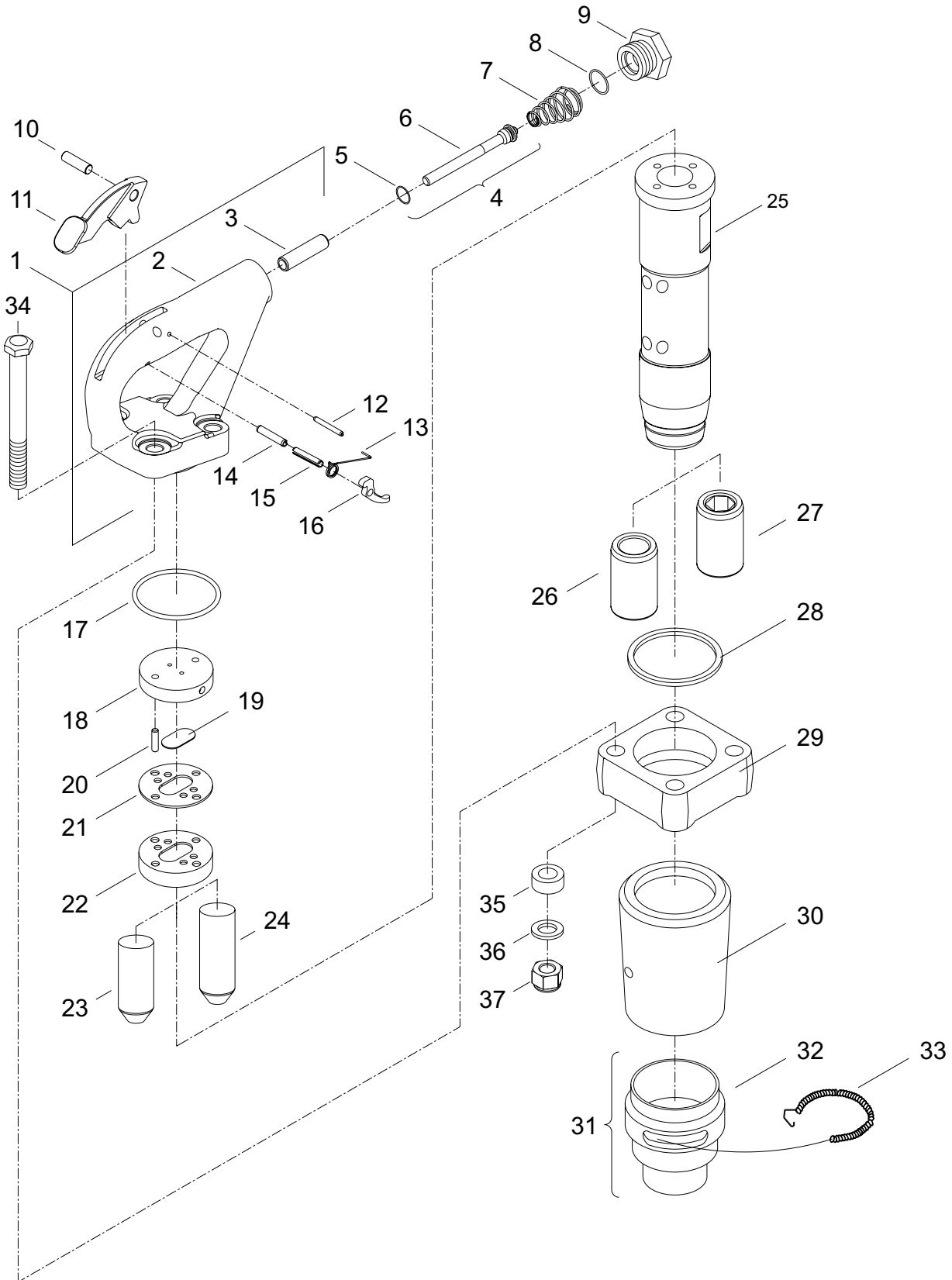


# EXPLODED VIEW OF CP 4130 3R , CP 4130 3H CP 4130 4R , CP 4130 4H



Ref. No.	Ordering No.	Qty.	Description
CP 4130 Chipping Hammer			
1	Z8342857	1	Handle (Includes item No. 2 & 3)
2		1	Handle
3		1	Throttle valve Bush
4	R157957	1	Throttle valve (Includes item No. 5 & 6)
5	R138140	1	O-ring (Throttle valve)
6		1	Throttle valve
7	R157960	1	Throttle valve spring
8	C046471	1	O-ring (Air inlet bushing)
9	R085595	1	Air inlet bushing
10	A043627	1	Pin - Lever
11	R157990	1	Lever
12	G071660	1	Pin - Stop ( 1/8" )
13	R157956	1	Lock-off spring
14	R158137	1	Pin - Lock-off trigger (5/32")
15	R158138	1	Pin - Lock-off trigger (3/32")
16	R157955	1	Lock-off trigger
17	C116352	1	O-ring
18	P071350	1	Lid - Upper valve case
19	P071358	1	Valve
20	A041797	2	Pin - Dowel
21	P071352	1	Case - Valve
22	P071351	1	Lid - Lower valve case
23	P118662	1	Piston - 3"
24	P118678	1	Piston - 4"
25		1	Cylinder
26	P001550	1	Bushing - Round
27	P001551	1	Bushing - Hex
28	R157952	1	Ring - Clamp
29	R157951	1	Flange - Cylinder
30	P155535	1	Muffler
31	P107243	1	Sleeve - Retainer (Includes item No. 32 & 33)
32	P070994	1	Spring - Lock coil
33		1	Sleeve - Retainer
34	R157954	4	Bolt
35	R155421	4	Bumper
36	R158143	4	Washer
37	R157953	4	Nyloc nut