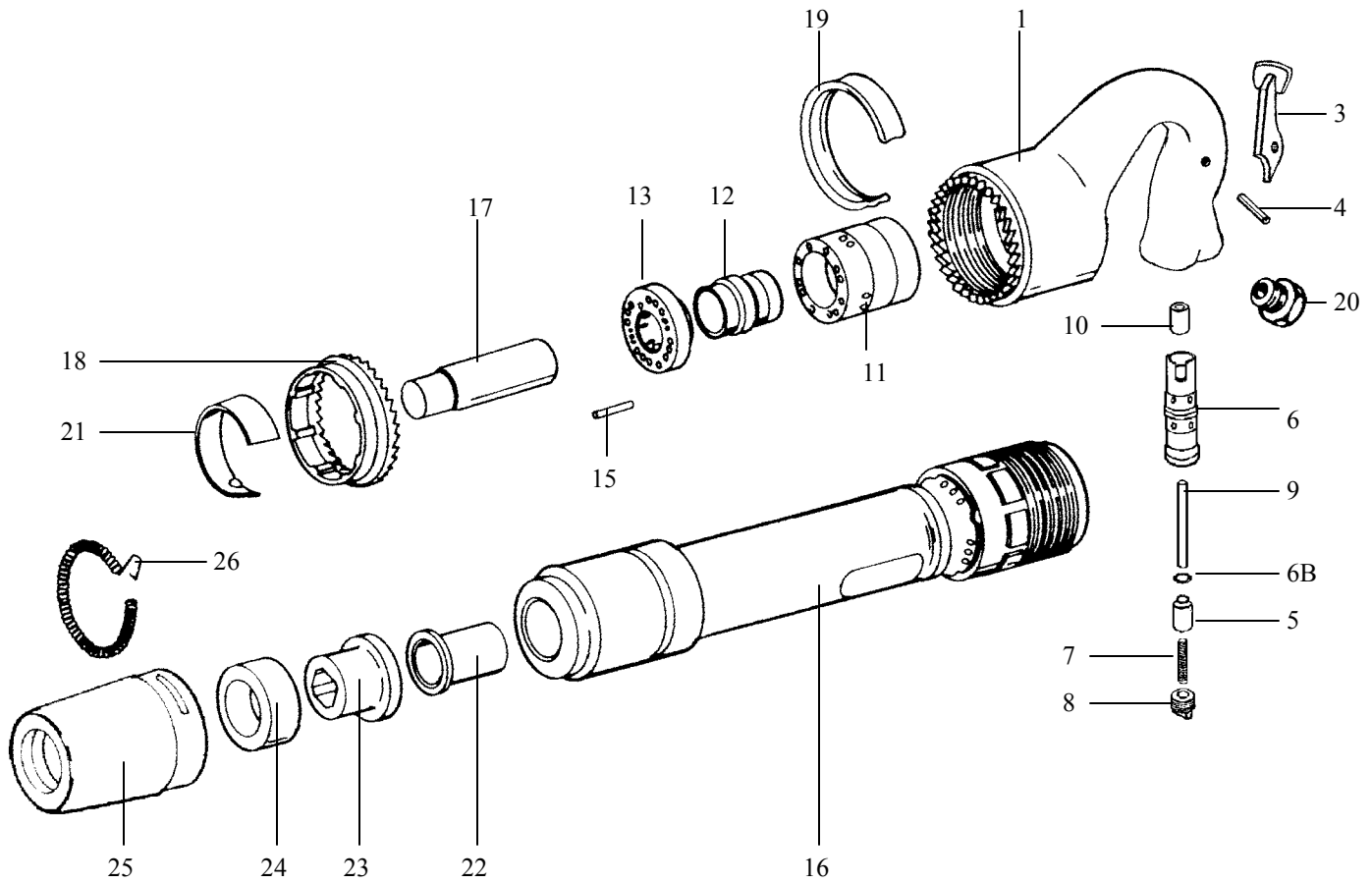


RIVET BUSTER

TEX 626P



INDEX	PART	DESCRIPTION	INDEX	PART	DESCRIPTION
ITEM	PART NUMBER	DESCRIPTION	ITEM	PART NUMBER	DESCRIPTION
1	3186-3232-00	HANDLE BARE (INCL.ITEM 6 & 10)	17	9245-9967-85	PISTON #3 RETAINED
2	3186-3233-60	HANDLE COMPLETE	18	9245-9968-00	HANDLE LOCK RING
3	P001982	THROTTLE LEVER	19	9245-9968-10	HANDLE LOCK SPRING
4	P001915	THROTTLE LEVER PIN	20	9245-9968-20	HANDLE BUSHING
5	P001789	THROTTLE VALVE	21	9245-9999-23	EXHAUST DEFLECTOR
6	P007325	THROTTLE VALVE TUBE WITH BUSHING	22	9247-9855-10	UPPER SLEEVE
6B	P083071	THROTTLE VALVE "O" RING	23	9247-9855-20	LOWER SLEEVE
7	9245-9966-70	THROTTLE VALVE SPRING	24	9247-9855-30	RETAINER BUMPER
8	9245-9999-20	THROTTLE VALVE PLUG	25	9247-9855-00	RETAINER
9	P004834	PUSH PIN	26	9247-9854-90	RETAINER SPRING
10	P004839	PUSH PIN BUSHING	NS	92459968-50	1/2" NPT SWIVEL
11	9245-9967-10	VALVE BOX			
12	9245-9967-20	VALVE			
13	9245-9967-30	VALVE COVER FRONT			
14	9245-9967-40	VALVE ASSEMBLY			
15	9245-9967-50	VALVE DOWEL PIN			
16	9245-9989-82	BARREL			