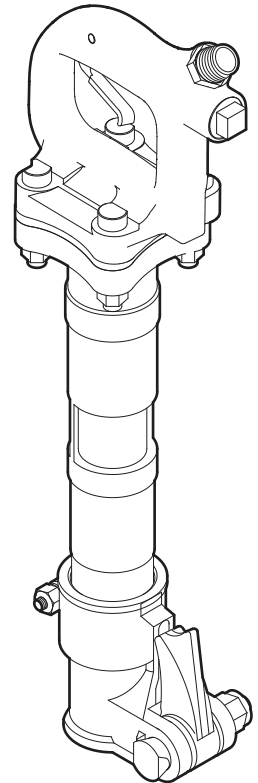




**Chicago
Pneumatic**

Spare parts list

**Handheld pneumatic pick hammers
CP 0111 CHLA, CP 0111 CHIT**

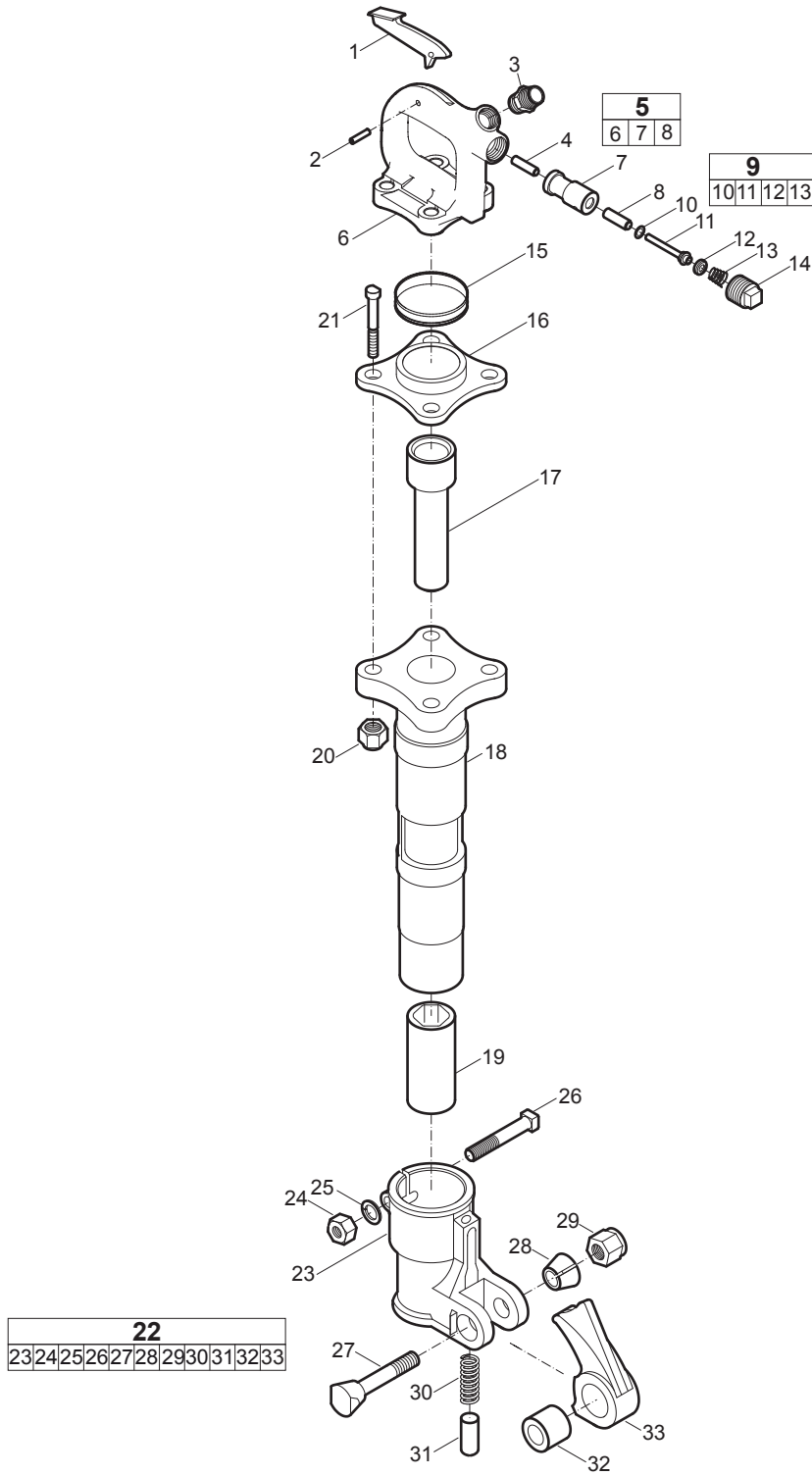


Contents

Spare parts list	4
CP 0111 CHLA	4
CP 0111 CHIT.....	6
Working tools	8
ISO standard hexagon 22 x 82.5 mm ($\frac{7}{8}$ x $3\frac{1}{4}$ in.)	8
ISO standard hexagon 25 x 108 mm (1 x $4\frac{1}{4}$ in.).....	8
US standard hexagon $\frac{7}{8}$ x $3\frac{1}{4}$ in. (22 x 82.5 mm).....	9
US standard hexagon 1 x $4\frac{1}{4}$ in. (25 x 108 mm)	10

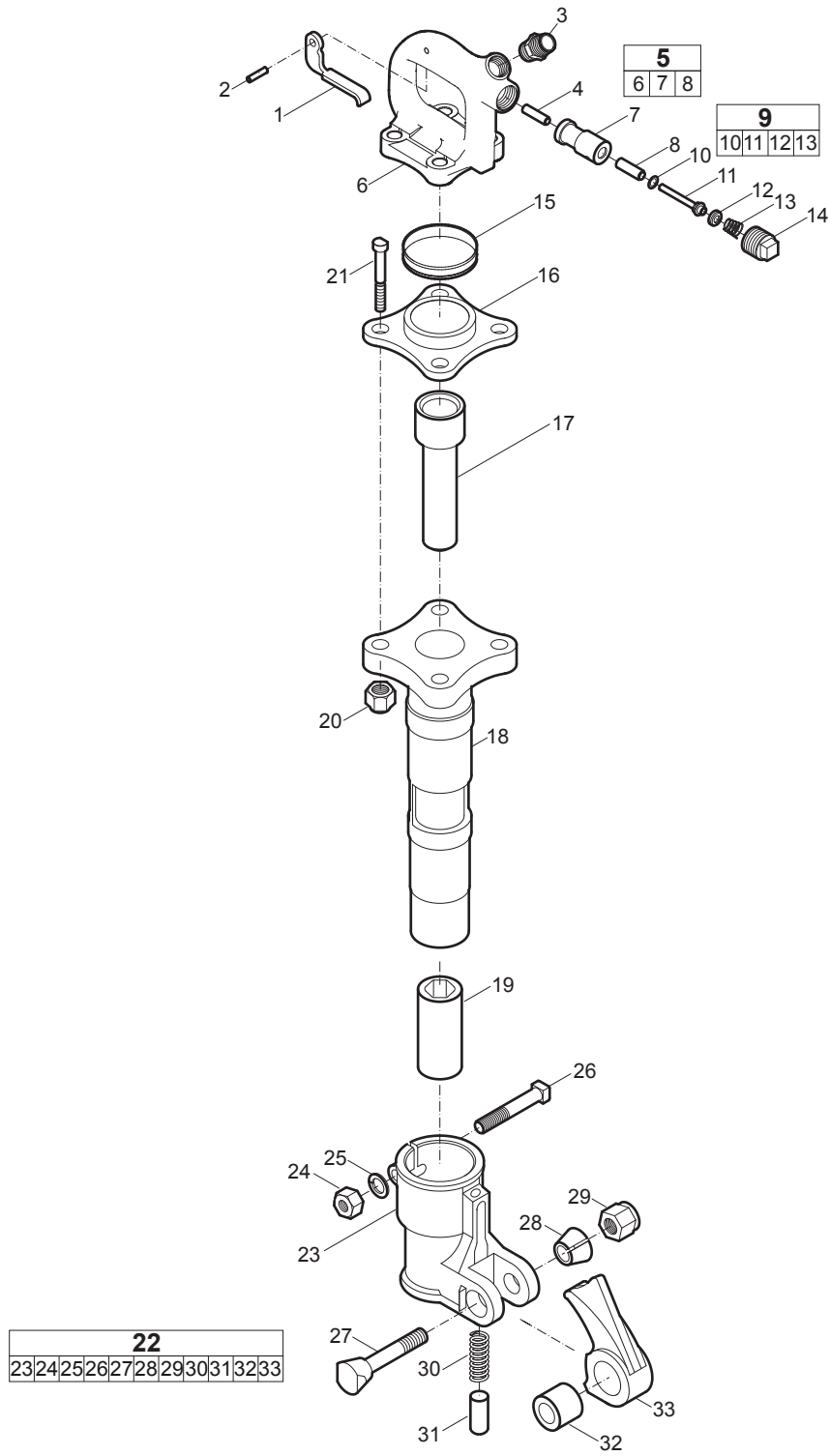
Spare parts list

CP 0111 CHLA



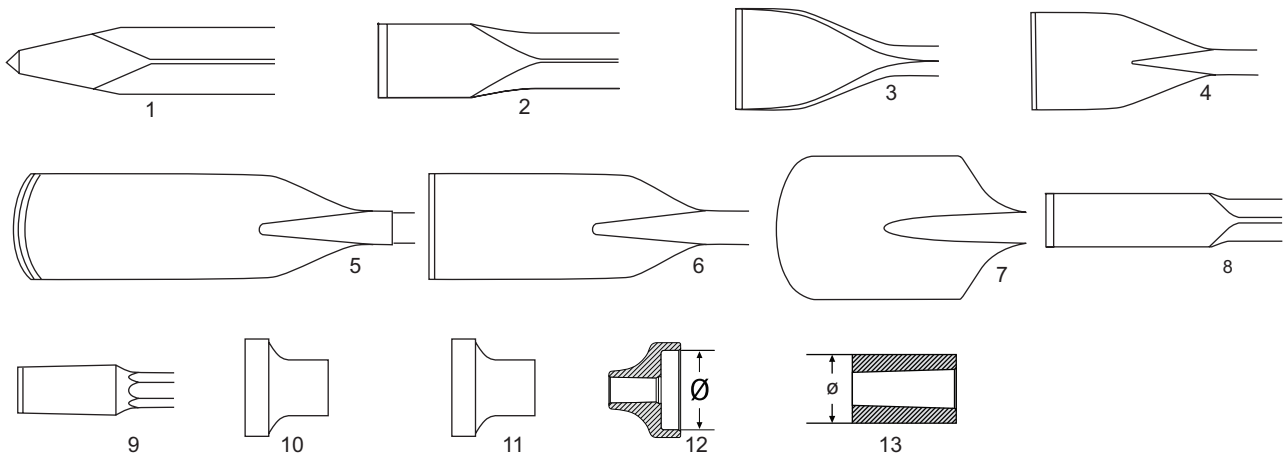
No.	Description	Remark	Quantity	Part number
1	Lever - Throttle valve		1	P003 070
2	Pin - Lever		1	A043 627
3	Nipple - Air inlet		1	R075 227
4	Pin - Push		1	P005 156
5(6-8)	Backhead, complete		1	R070 114
6	Backhead		1	-
7	Bushing - Throttle valve		1	P005 154
8	Bushing - Push pin		1	P005 157
9(10-13)	Throttle valve, complete		1	Z824 9416
10	O-ring		1	-
11	Valve - Throttle		1	-
12	Retainer - O-ring		1	-
13	Spring - Throttle		1	-
14	Plug - Throttle valve		1	P001 884
15	Valve		1	R070 103
16	Block - Valve		1	3303 0051 35
17	Piston		1	R070 102
18	Cylinder		1	-
19	Bushing	Hexagon, 1" x 4¼"	1	R070 112
20	Nut - Backhead bolt	⅜" -18	4	P006 099
21	Bolt - Backhead	⅜" -18	4	R070 111
22(23-33)	Latch retainer, complete		1	R092 500
23	Head - Latch retainer		1	-
24	Nut - Head latch	½" -13	1	R000 555
25	Lockwasher - Head latch		1	C036 717
26	Bolt - Head latch	½" -13 x 2¾"	1	P002 123
27	Bolt - Latch retainer	⅝" -18 x 3½"	1	R092 498
28	Bushing - Latch retainer bolt		1	R092 499
29	Nut - Latch retainer	⅝" -18	1	P081 091
30	Spring - Latch retainer plunger		1	R086 982
31	Plunger - Latch retainer		1	R092 497
32	Bushing - Latch retainer		1	R048 540
33	Retainer - Latch		1	R092 493

CP 0111 CHIT

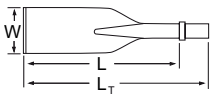


No.	Description	Remark	Quantity	Part number
1	Lever - Throttle valve		1	R093 103
2	Pin - Lever		1	A043 627
3	Nipple - Air inlet		1	R075 227
4	Pin - Push		1	P005 156
5(6-8)	Backhead, complete		1	R070 114
6	Backhead		1	-
7	Bushing - Throttle valve		1	P005 154
8	Bushing - Push pin		1	P005 157
9(10-13)	Throttle valve, complete		1	Z824 9416
10	O-ring		1	-
11	Valve - Throttle		1	-
12	Retainer - O-ring		1	-
13	Spring - Throttle		1	-
14	Plug - Throttle valve		1	P001 884
15	Valve		1	R070 103
16	Block - Valve		1	3303 0051 35
17	Piston		1	R070 102
18	Cylinder		1	-
19	Bushing	Hexagon, $\frac{7}{8}$ " x $3\frac{1}{4}$ "	1	F813 919
20	Nut - Backhead bolt	$\frac{9}{16}$ " -18	4	P006 099
21	Bolt - Backhead	$\frac{9}{16}$ " -18	4	R070 111
22(23-33)	Latch retainer, complete		1	R092 500
23	Head - Latch retainer		1	-
24	Nut - Head latch	$\frac{1}{2}$ " -13	1	R000 555
25	Lockwasher - Head latch		1	C036 717
26	Bolt - Head latch	$\frac{1}{2}$ " -13 x $2\frac{3}{4}$ "	1	P002 123
27	Bolt - Latch retainer	$\frac{5}{8}$ " -18 x $3\frac{1}{2}$ "	1	R092 498
28	Bushing - Latch retainer bolt		1	R092 499
29	Nut - Latch retainer	$\frac{5}{8}$ " -18	1	P081 091
30	Spring - Latch retainer plunger		1	R086 982
31	Plunger - Latch retainer		1	R092 497
32	Bushing - Latch retainer		1	R048 540
33	Retainer - Latch		1	R092 493

Working tools



ISO standard hexagon 22 x 82.5 mm (7/8 x 3 1/4 in.)

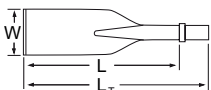


Point to flat



No.	Description	W (mm)	L (mm)	L _T (mm)	Wt (kg)	Part number
1	Moil point	-	380	475	1.6	3083 3242 00
		-	1000	1095	3.6	3083 3243 00
2	Narrow chisel	-	380	475	1.6	3083 3244 00
		-	1000	1095	3.6	3083 3245 00
3	Wide chisel	75	380	475	2.2	3083 3246 00
4	Asphalt cutter	125	380	475	3.0	3083 3069 00
5	Digging chisel	75	450	545	3.3	3083 3247 00
6	Digging spade	120	400	495	3.8	3083 3248 00
7	Clay spade	125	430	525	3.7	3083 3249 00
8	Frost wedge	35	380	475	2.3	3083 3250 00
9	Shaft for tamping pad	-	310	405	1.7	3083 3251 00
10	Tamping pad, round	Ø175	-	-	7.6	3083 3252 10
11	Tamping pad, square	175	-	-	6.1	3083 3239 00
12	Driver pad, round	Ø65	-	-	1.9	3317 8060 12
		Ø100	-	-	2.6	9245 2817 90
14	Posthole tool	40	-	-	2.7	9245 2822 30

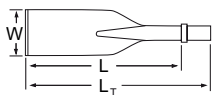
ISO standard hexagon 25 x 108 mm (1 x 4 1/4 in.)



Point to flat

No.	Description	W (mm)	L (mm)	L _T (mm)	Wt (kg)	Part number
1	Moil point	-	380	500	2.0	3083 3253 00
2	Narrow chisel	-	380	500	2.1	3083 3254 00
3	Wide chisel	75	380	500	2.3	3083 3255 00
5	Digging chisel	75	380	500	3.1	3083 3256 00
6	Digging spade	120	380	500	4.2	3083 3257 00
7	Clay spade	125	430	550	3.8	3083 3033 00
8	Wedge chisel	35	380	500	2.5	3083 3258 00
9	Shaft for tamping pad	-	280	400	2.1	3083 3259 00
10	Tamping pad, round	∅175	-	-	7.6	3083 3252 10
11	Tamping pad, square	175	-	-	6.1	3083 3239 00
12	Driver pad, round	∅100 ∅65	-	-	2.6 1.9	9245 2817 90 3371 8060 12
14	Posthole pad	40	-	-	2.7	9245 2822 30

US standard hexagon $\frac{7}{8} \times 3\frac{1}{4}$ in. (22 x 82.5 mm)

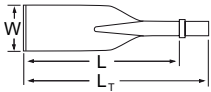


Flat to flat



No.	Description	W (in.)	L (in.)	L _T (in.)	Wt (lb)	Part number
1	Moil point	-	14	18	3.3	3083 4050 00
		-	18	21	4.0	3083 4050 10
		-	24	28	5.1	3083 4050 20
		-	36	40	7.3	3083 4050 30
2	Narrow chisel	-	14	18	3.5	3083 3303 00
		-	24	28	5.1	3083 3304 00
		-	18	21	4.0	3083 4051 10
		-	36	40	7.3	3083 4051 30
3	Wide chisel	3	14	18	4.6	3083 3305 00
		3	18	21	4.4	3083 4052 10
		3	24	28	5.5	3083 4052 20
		3	36	40	7.7	3083 4052 30
4	Asphalt cutter	5	12	16	6.2	3083 4053 00
5	Digging chisel	3	14	18	7.1	3083 3306 00
6	Digging spade	5	13	17	8.6	3083 3307 00
7	Clay spade	5	17	21	8.4	3083 3308 00
8	Frost wedge	1	15	19	5.5	3083 4057 00
9	Shaft for tamping pad	-	8	12	2.9	3083 4058 00
10	Tamping pad, round	∅7	-	-	16.8	3083 3252 10
11	Tamping pad, square	7	-	-	13.4	3083 3239 00
12	Driver pad, round	∅4	-	-	5.7	9245 2817 90
		∅3	-	-	4.2	3371 8060 12
14	Posthole tool	2	-	-	6.0	9245 2822 30

US standard hexagon 1 x 4¼ in. (25 x 108 mm)



Flat to flat

No.	Description	W (in.)	L (in.)	L _T (in.)	Wt (lb)	Part number
1	Moil point	-	15	20	4.6	3083 4030 00
		-	18	22	5.3	3083 4030 10
		-	24	29	6.8	3083 4030 20
		-	36	41	9.7	3083 4030 30
2	Narrow chisel	-	15	20	4.6	3083 3309 00
		-	18	22	5.3	3083 4031 10
		-	24	29	6.8	3083 4031 20
		-	36	41	9.7	3083 4031 30
3	Wide chisel	3	15	20	5.3	3083 3310 00
		3	18	22	5.7	3083 4032 00
		3	24	29	7.3	3083 4032 10
		3	36	41	10.3	3083 4032 20
4	Asphalt cutter	4½	12	16¾	7.1	3083 4034 00
		5	13	17¾	6.4	3083 4033 00
5	Digging chisel	3	15	20	7.0	3083 3311 00
6	Digging spade	4¾	13	17¾	8.8	3083 3312 00
7	Clay spade	4	16	21	6.2	3083 4035 10
		5	16	21	8.2	3083 4035 00
8	Wedge chisel	2	15	20	10.4	3083 3313 00
9	Shaft for tamping pad	-	11	16	4.2	3083 4037 00
10	Tamping pad, round	ø7	-	-	16.8	3083 3252 10
11	Tamping pad, square	7	-	-	13.5	3083 3239 00
12	Driver pad, round	ø4	-	-	5.7	9245 2817 90
		ø2½	-	-	4.2	3371 8060 12
14	Posthole pad	1½	-	-	6.0	9245 2822 30



**Chicago
Pneumatic**