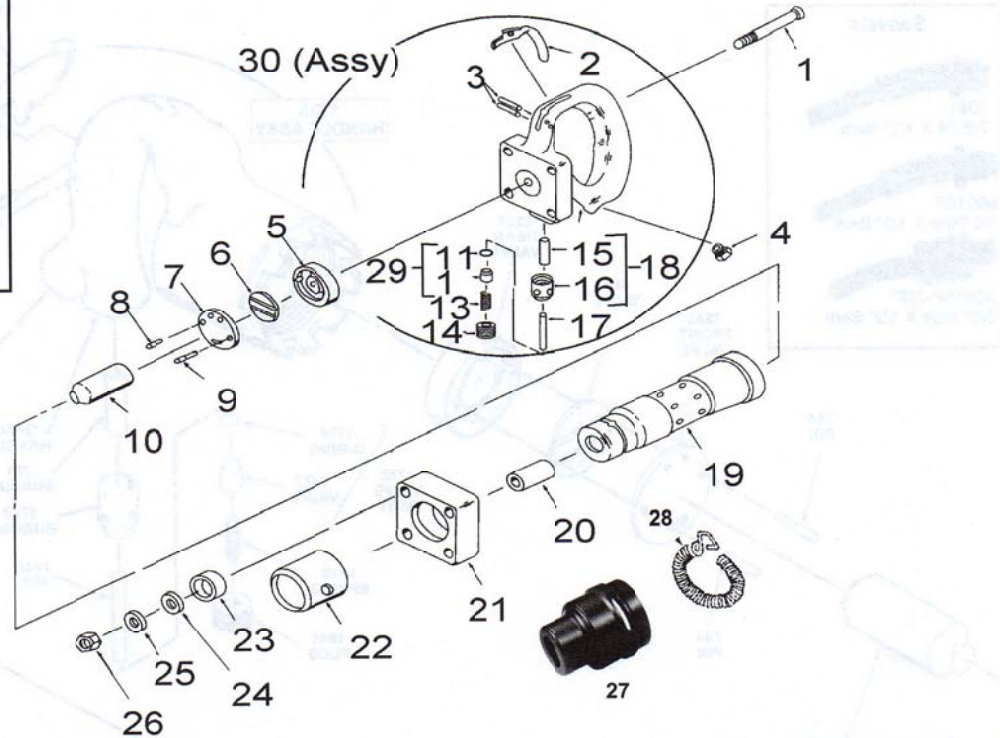


Parts for American Pneumatic model 452, 453, 454 Chipping Hammer (15 lbs)



Index	Part No	Description	Index	Part No	Description
1	17082	Bolt	18	17543	Bushing Assy.
2	210	Lever	19-Round	17963	2" Cylinder w/ 272 Bushing
3	4364	Pin	19-Round	17965	3" Cylinder w/ 272 Bushing
4	759	Fitting	19-Round	17967	4" Cylinder w/ 272 Bushing
5	2221	Rear Valve	19-Hex	17964	2" Cylinder w/ 273 Bushing
6	699	Valve	19-Hex	17966	3" Cylinder w/ 273 Bushing
7	1233	Front Valve	19-Hex	17968	4" Cylinder w/ 273 Bushing
8	744	Pin (short)	20-Round	272	Round Bushing
9	18065	Pin (long)	20-Hex	273	Hex Bushing
10	1533	Piston 2" Stroke (452)	21	17078	Collar
10	1534	Piston 3" Stroke (453)	22	17081	Deflector
10	703	Piston 4" Stroke (454)	23	17596	Cup Housing (4)
11	1786	O-Ring	24	17092	Snubber (4)
12	2477	Throttle Valve	25	17084	Washer (4)
13	1918	Spring	26	17595	Nut (4)
14	1945	Plug	27	7022	Oval Collar Retainer
15	17114	Bushing, Pin	28	1941	Retainer Spring
16	1783	Bushing, T. Valve	29	1782	Throttle Valve w/ O-Ring
17	17085	Push Pin	30	17541	Handle Assy- Complete