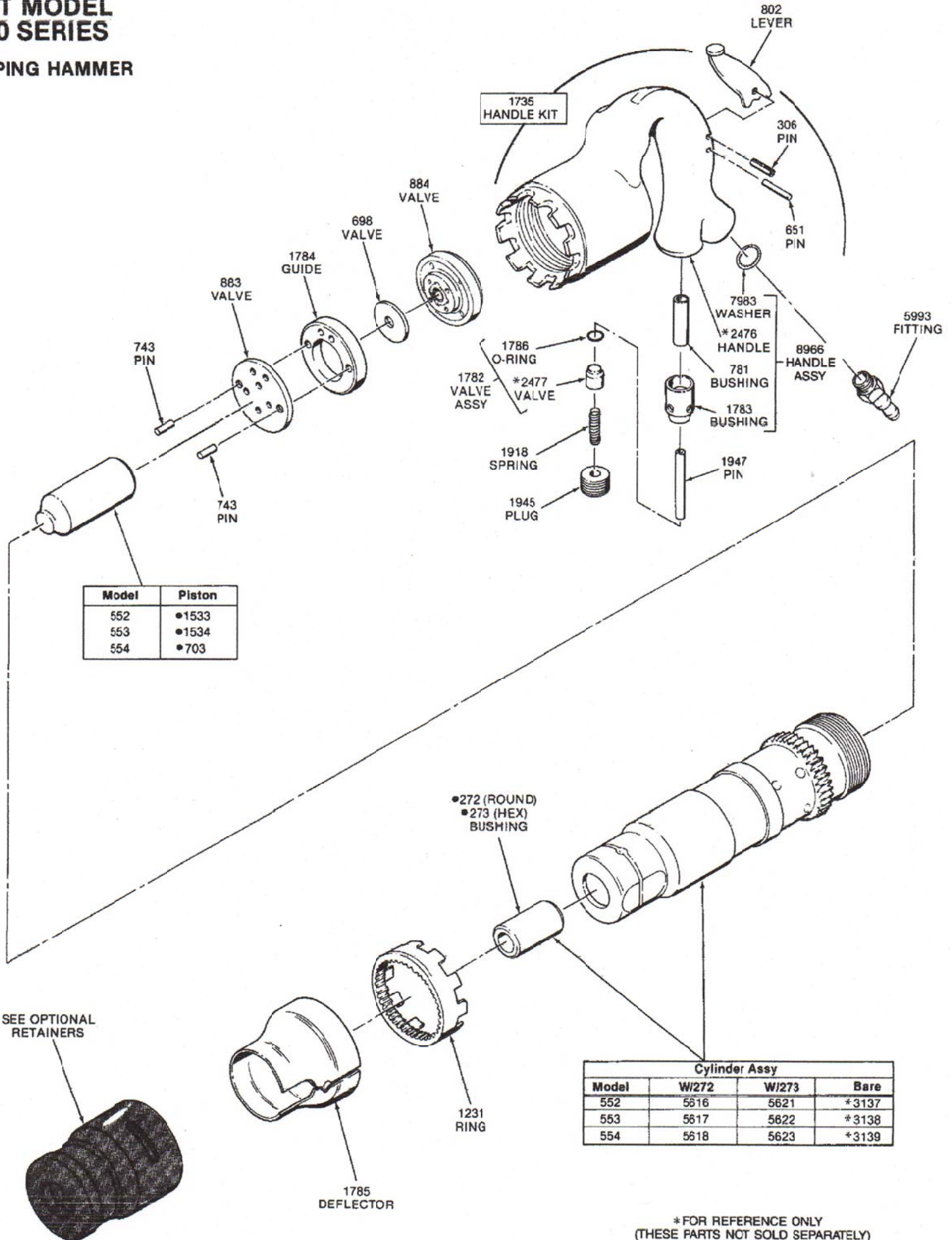


**APT MODEL
550 SERIES**

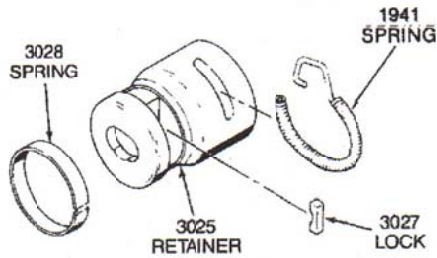
CHIPPING HAMMER



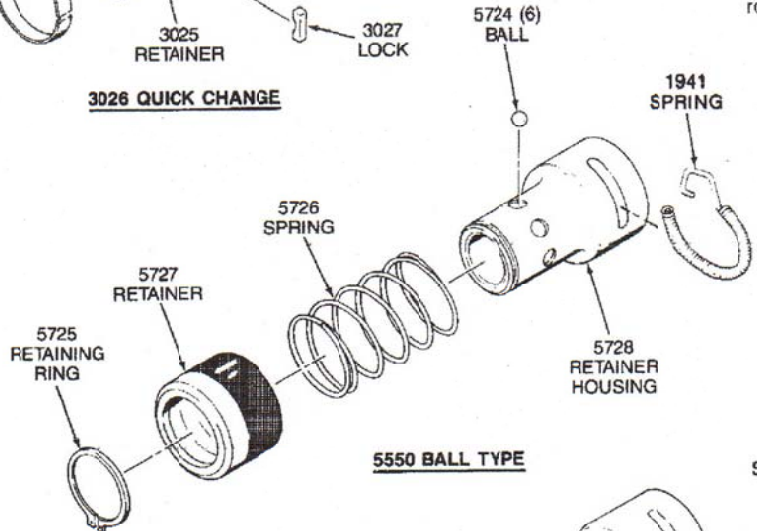
*FOR REFERENCE ONLY
(THESE PARTS NOT SOLD SEPARATELY)

●Piston and bushing are available oversize — (.002, .006, & .010).

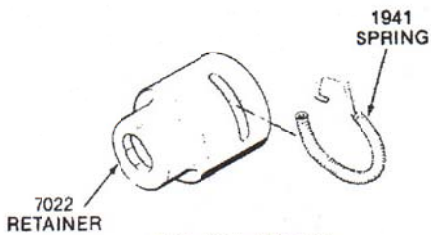
OPTIONAL RETAINERS



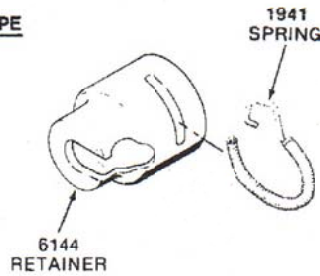
3026 QUICK CHANGE



5550 BALL TYPE



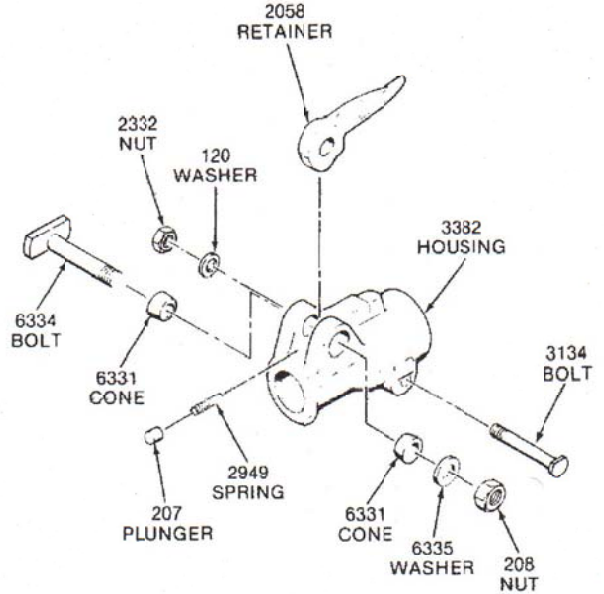
7022 OVAL COLLAR



6144 ROUND COLLAR

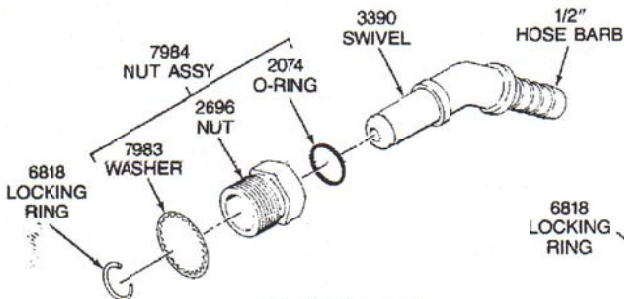
IMPORTANT

DO NOT USE 3383 Latch-type Retainer with .580 hex-shank chipping hammer steel. The latch does not always catch the round collar, allowing the steel to shoot out of the chipping hammer. This retainer (3383 Assy) should be used with .680 round collar or round shank steel only.

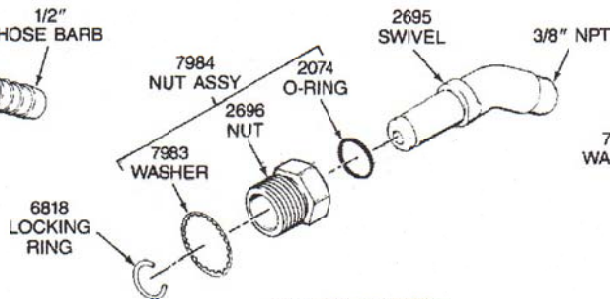


3383 LATCH TYPE

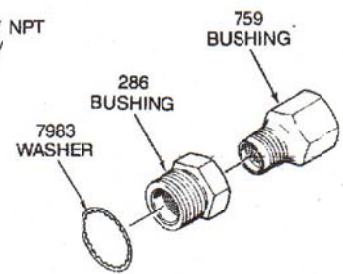
OPTIONAL FITTINGS



3388 SWIVEL ASSY



2698 SWIVEL ASSY



REDUCING BUSHING