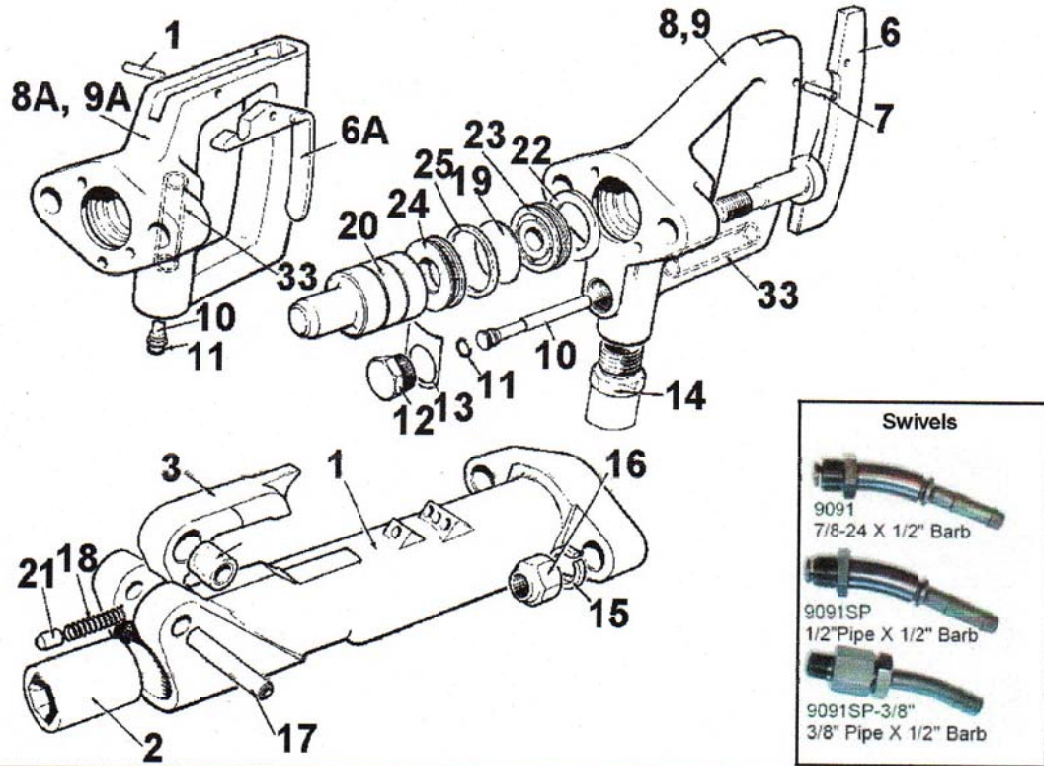


CP-222 Utility Hammer (20 lbs)



| INDEX NO. | PART NO. | DESCRIPTION | INDEX NO. | PART NO. | DESCRIPTION |
|-----------|----------|-------------------------------|-----------|----------|-------------------------|
| 1 | F-815288 | CYLINDER ASSY | 14 | F-814130 | NIPPLE-AIR INLET |
| 2 | F-813919 | SLEEVE-TOOL | 15 | R-000550 | LOCKWASHER |
| 3 | F-815269 | LATCH ASSY | 16 | P-081091 | NUT-BACKHEAD BOLT |
| 4 | F-815174 | BUSHING-LATCH | 17 | R-133758 | PIN-LATCH RETAINER |
| 5 | F-815270 | HANDLE-OUTSIDE TRIG. | 18 | R-086982 | SPRING-RETAINER PLUNGER |
| 6 | F-815161 | LEVER-OUTSIDE TRIGGER | 19 | F-012659 | VALVE |
| 6A | F-815167 | LEVER-INSIDE TRIGGER | 20 | F-815015 | PISTON |
| 7 | R-133757 | PIN-THROTTLE LEVER | 21 | F-813308 | PLUNGER-LATCH |
| 8 | F-815160 | HANDLE-OUT. TRIG. | 22 | F-813908 | PAD-VALVE CASE PRELOAD |
| 8A | F-815166 | HANDLE-IN. TRIGG. | 23 | F-814774 | LID-UPPER CASE |
| 9 | F-815271 | HANDLE-OUTSIDE TRIGGER-COMPL. | 24 | F-814775 | LID-LOWER CASE |
| 9A | F-815852 | HANDLE-INSIDE TRIGGER-COMPL. | 25 | F-814776 | CASE-VALVE |
| 10 | F-814812 | VALVE-THROTTLE | 26 | F-813911 | BOLT-HANDLE |
| 11 | P-083071 | O-RING (-011) | 27 | R-141765 | MUFFLER |
| 12 | F-814440 | PLUG-T.VALVE | 28 | P-072446 | SCREW-HEX |
| 13 | F-814582 | WASHER-TAB | 33 | F-813910 | BUSHING-T.VALVE |