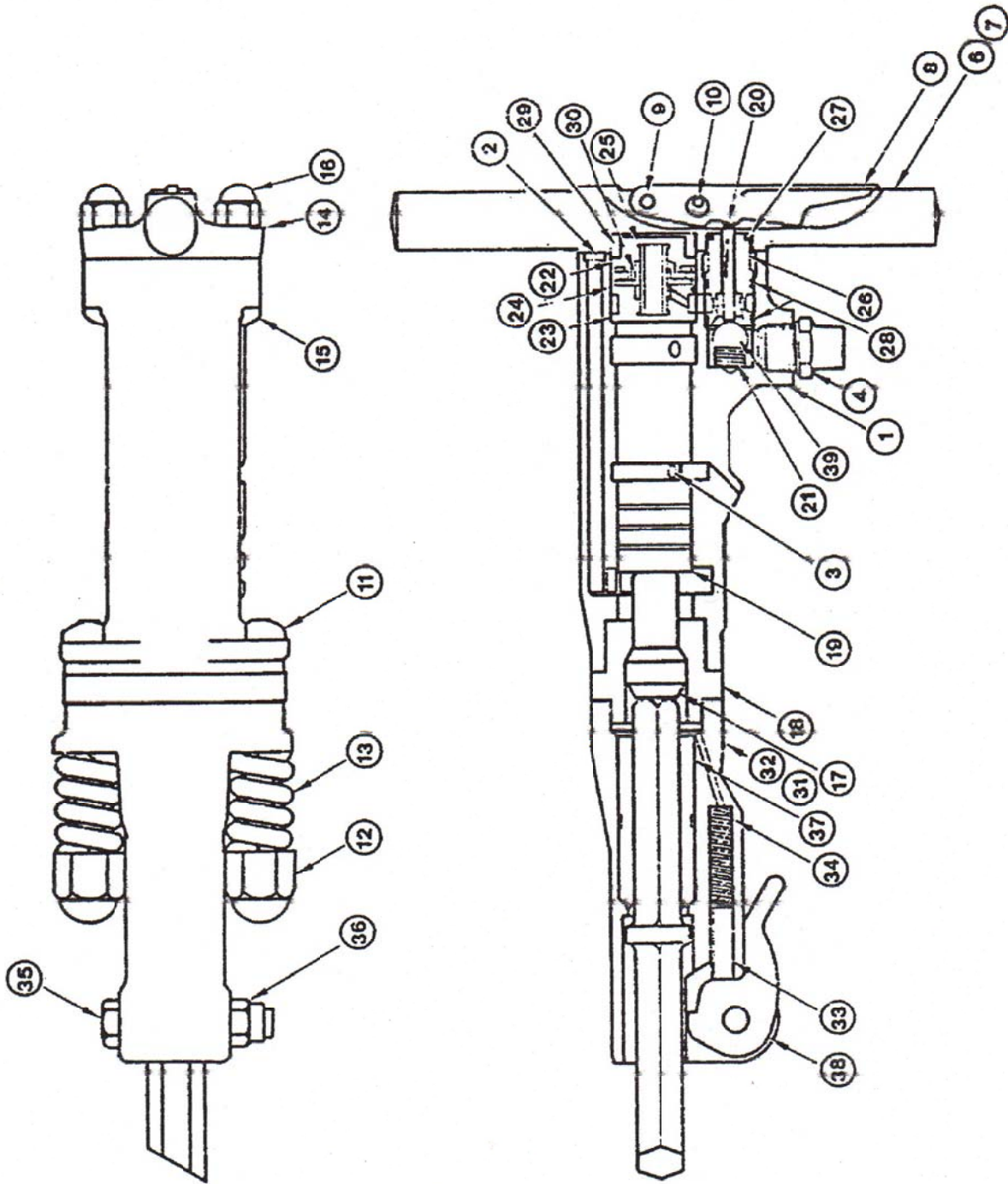


Gardner-Denver Model B67C Paving Breaker (60 lb)



Gardner-Denver Model B67C Paving Breaker (60 lb)

Index No.	Part No.	Description
1	1B67-1	CYLINDER ASSY
2	S48-1PL	WELD PLUG
3	S48-1PK	WELD PLUG
4	1050027	NIPPLE
5	PP-2A	PLUG
6	B67-2DX	BACKHEAD ASSY
7	B67-2D	BACKHEAD
8	B37-12A	HANDLE
9	1050341	ROLL PIN
10	ERP9	ROLL PIN
11	B67B-3A	SIDE ROD
12	B87B-3N	NUT
13	B87B-3TA	SPRING
14	WS36	LOCK WASHER
15	B87-4	SIDE ROD
16	S48-3N	NUT
17	B67-8A	TAPPET
18	B67-8L	TAPPET BUSHING
19	B67-9	HAMMER
20	1B87C-630	PLUNGER
21	1512GB	SPRING
22	1B67-15A	VALVE CHEST
23	1B67-15	VALVE CHEST ASSY
24	1050391	O-RING
25	B67-15EA	VALVE PLUG
26	1B87C-933	VALVE SEAT ASSY
27	1B87C-763	SPACER
28	OR21	O-RING
29	1B67-715	SEAL
30	B67-16	VALVE
31	1B67-17X	CHUCK END ASSY
32	1B67-17	CHUCK END
33	B87B-36E	DETENT
34	B87B-36B	SPRING
35	1050357	CAP SCREW
36	E5F16	LOCK NUT
37	B72-7T6P	1-1/8" HEX CHUCK
37	B72-7U6M	1-1/4" HEX CHUCK
38	B87B-36D	1-1/8 HEX RETAINER
38	B87B-36UD	1-1/4 HEX RETAINER
39	1887C-920	VALVE BALL