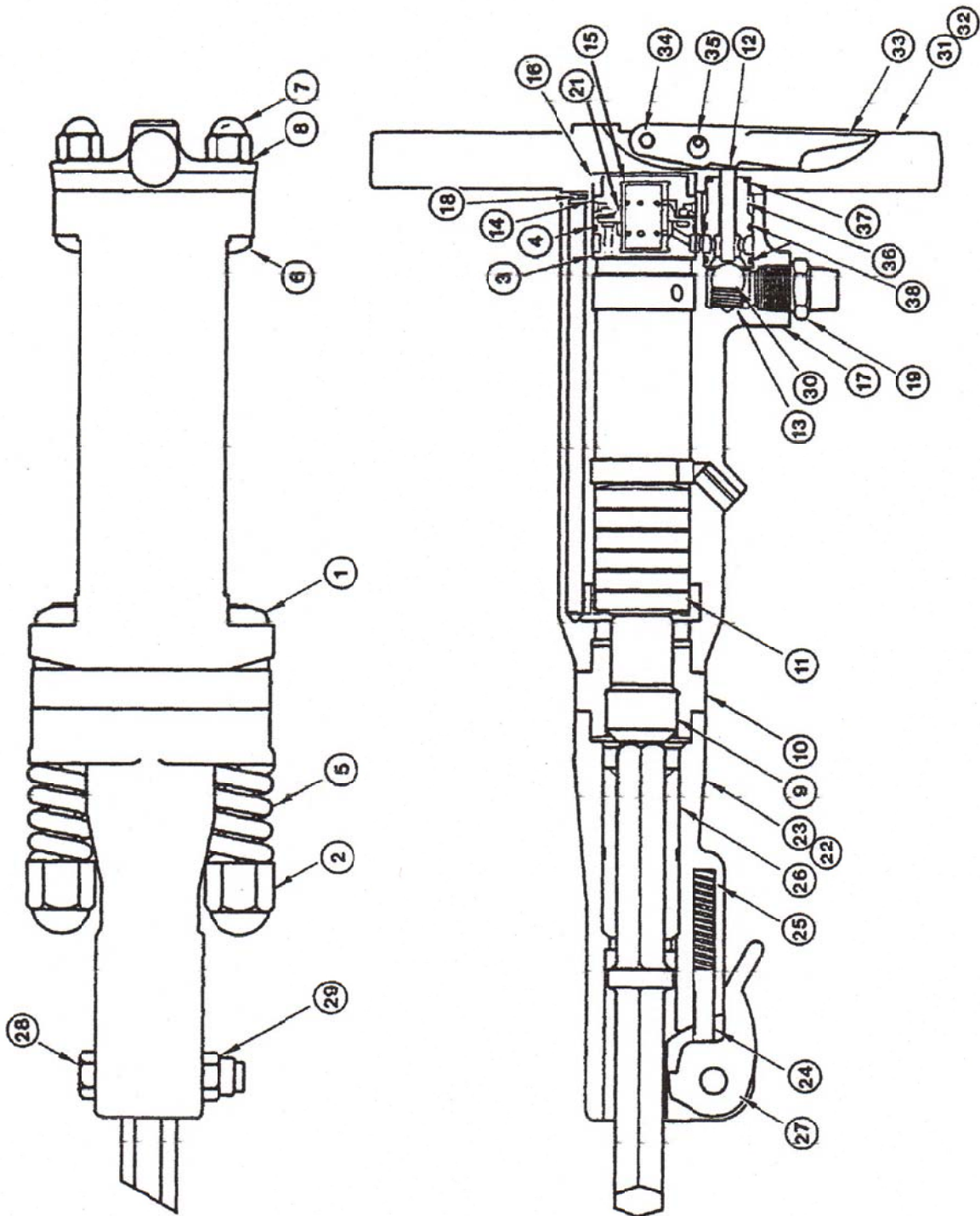


Gardner-Denver Model B87C Paving Breaker (90 lbs)



Gardner-Denver Model B87C Paving Breaker (90 lbs)

Index No.	Part No.	Description
1	B87B-3A	SIDE ROD
2	B87B-3N	NUT
3	1B87C-15	VALVE CASE LOWER LID
4	1050347	O-RING
5	B87B-3TA	SPRING
6	B87-4	SIDE ROD
7	S48-3N	NUT
8	WS36	LOCKWASHER
9	B87B-3	TAPPET
10	B87B-3L	TAPPET BUSHING
11	B87-9	HAMMER
12	1B87C-630	PLUNGER
13	1512GB	SPRING
14	1B87C-15A	UPPER VALVE CHEST
15	B87-15M	VALVE PLUG
16	1B87C-715	SEAL
17	1B87C-1	CYLINDER ASSY
18	S48-1PL	WELD PLUG
19	1050027	NIPPLE
20	PP-2A	PIPE PLUG
21	B87-16M	AUTOMATIC VALVE
22	1B87C-17X	CHUCK END ASSY
23	1B87C-17	CHUCK END
24	B87B-36E	DETENT
25	B87B-36E	SPRING
26	B72-7T6P	1-1/8" HEX BUSHING
26	B72-7U6M	1-1/4" HEX BUSHING
27	B87B-36D	1-1/8" STEEL RETAINER
27	B87B-36UD	1-1/4" STEEL RETAINER
28	1050357	CAP SCREW
29	ESF-16	LOCK NUT
30	1B87C-920	VALVE BALL
31	B87-2DX	BACKHEAD ASSY
32	B872D	BACKHEAD
33	B37-12A	THROTTLE HANDLE
34	1050341	SPIRAL ROLL PIN
35	ERP9	ROLL PIN
36	1B87C-933	VALVE SEAT ASSY
37	1B87C-763	SPACER
36	OR21	O-RING