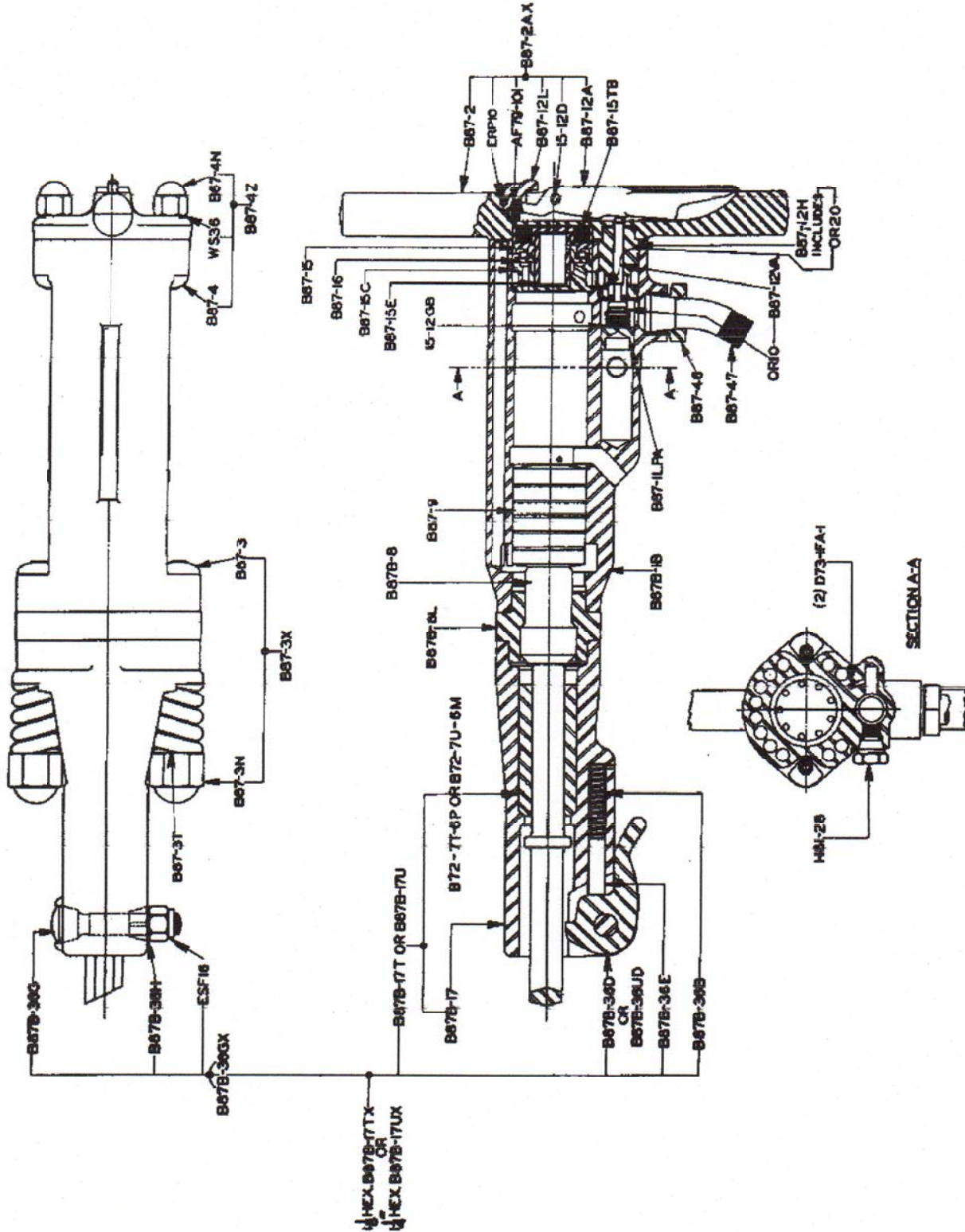


Gardner-Denver Model B87 and B87B Paving Breaker



Gardner-Denver Model B87 and B87B Paving Breaker

PART NO.	REF. NO.	NAME OF PART
HANDLE		
15-12D	5902	Throttle Lever Pin
15-12C	5901	Throttle Lever Stop Pin
B87-12VA	2084	Throttle Valve
OR10	5900	"O" Ring
OR20	1937	Throttle Valve Seat "O" Ring
OR21	1123	Air Connection "O" Ring
B87-12H	5908	Throttle Valve Bushing
B87-4	2065	Handle Bolt
B67-4N	2066	Handle Bolt Nut
WS-36	2067	Handle Bolt Washer
B87-12A	5907	Throttle Lever
AF-79-101	5904	Throttle Lever Lock Spring
H81-28	198	Oil Plug
CYLINDER		
B87-46	5914	Inlet Nut
B87-47	5915	Inlet Swivel
R104-IF-1	5916	Regulating Oil Pin
B87-9	2044	Piston
B87B-8	2045	Tappet $1\frac{15}{16}$ Dia. x $3\frac{3}{8}$ Lg.
B87-8A	63	Tappet $1\frac{15}{16}$ Dia. x $3\frac{3}{16}$ Lg.
B87B-8L	2046	Anvil Collar
B87-15TB	5912	Backhead Spring
B87-16	5913	Valve
B87-15C	5910	Valve Cap.
B87-15	6015	Valve Chest
B87-15E	5911	Valve Plunger Guide
S48-IF	482	Filler Plug
S48-IW	483	Filler Plug Washer
FRONTHEAD		
B72-7T	2074	$1\frac{1}{2}$ Hex Bushing
B72-7T-6P	1034	$1\frac{1}{2}$ Hex Bushing
B72-7U-6M	1040	$1\frac{1}{2}$ Hex Bushing
B87-8P	62	Drive Pin
B87B-36UD	2059	Retainer $1\frac{1}{2}$
B87B-36E	2051	Retainer Plunger
B72-36E	1031	Retainer Plunger
B72-36BA	1032	Retainer Spring
B87B-36B	2052	Retainer Spring
B87B-36G	2054	Retainer Bolt
NFF-8	2056	Retainer Bolt Nut
B87B-36H	2055	Retainer Bolt Bushing
B87-36C	6013	Retainer Pivot Incl. 2076 Lock Ring
ESF-16	954	Retainer Bolt Nut
B87B-36D	6023	Retainer $1\frac{1}{2}$
B87-3	2061	Side Rod Bolt 10P
B87-3N	2062	Side Rod Bolt Nut 10P
B87-3T	2063	Side Rod Spring
B87B-3T	3038	Side Rod Spring
B87B-3N	2113	Side Rod Nut 6P
B87B-3A	2118	Side Rod 6P