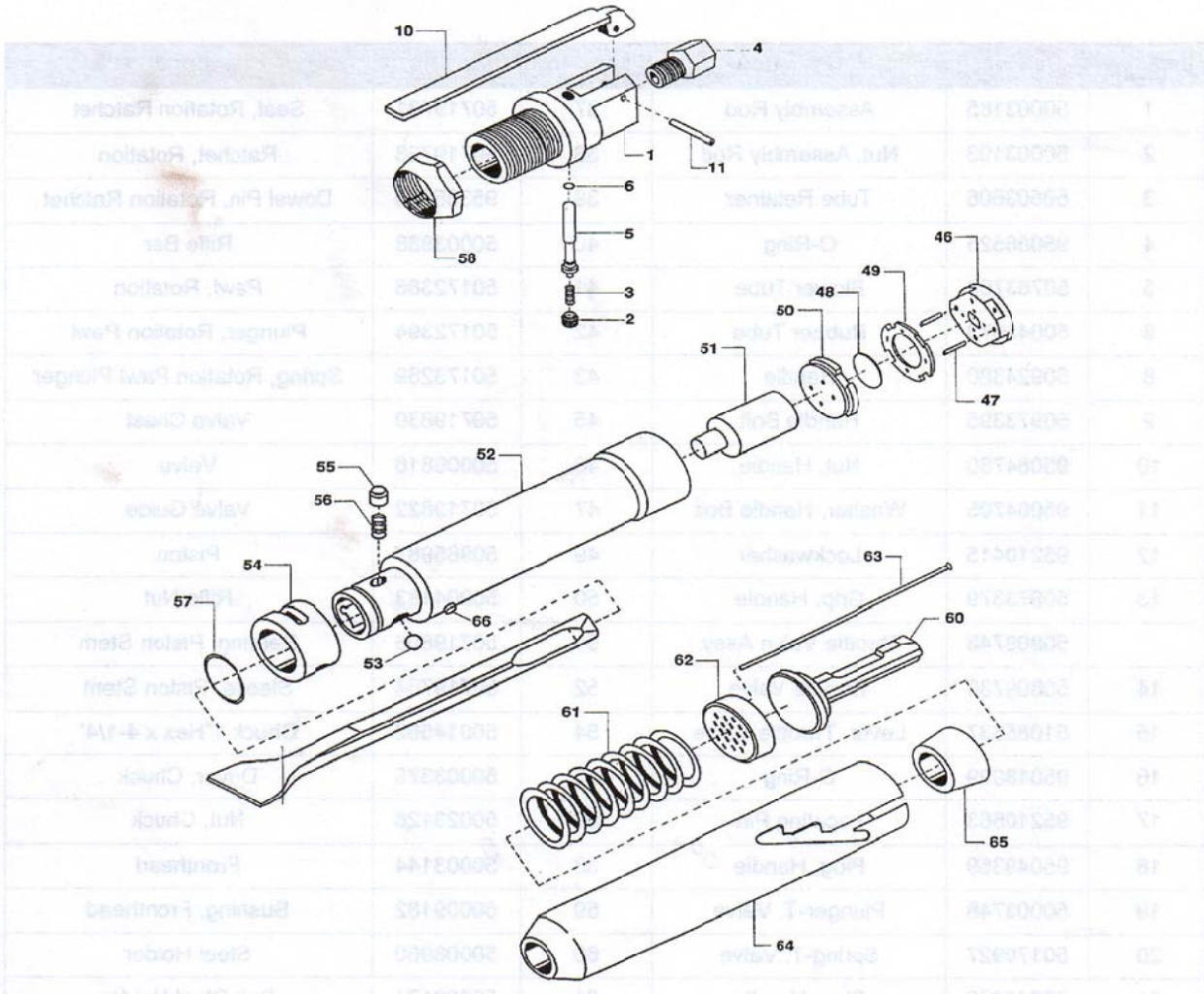


### INGERSOLL-RAND 172 & 182 SCALER



Index	Part No.	Description	Index	Part No.	Description
1	WF182-160	Head Block	52	WF182-A10A	Casing Assembly
2	WF-109A	Throttle Valve Cap	53	WF171-28	Retainer Ball
3	PX2-626	Throttle Valve Spring	54	WF182-30A	Retainer Sleeve
4	ROB1J61-565	Inlet Bushing	55	WF182-716	Retainer Sleeve Lock Plunger
5	WF171-49	Throttle Valve	56	R1-271	Plunger Lock Spring
6	R2F-167	Throttle Valve Face	57	WF182-104	Retainer Sleeve Lock Ring
10	WF-163A	Throttle Lever	58	WF182-27	Casing Lock Nut
11	WF171-15	Throttle Lever Pin	60	NS11-20	Anvil
46	WF171-4	Valve Cap	61	NS11-27	Anvil Spring
47	WF171-32	Dowel Pin	62	NS11-21	Needle Holder
48	WF171-2	Valve	63	NS11-22	Needle 5"-1/8 diam.-19 pieces
49	WF171-8	Valve Spacer	63A	NS11-122	Needle 7"-1/8 diam.-pieces
50	WF171-3	Valve Seat	64	NS11-24	Round Needle Housing
51	WF181-5	Piston	65	NS11-25	Spring Seat Stop
52	WF182-A10A	Casing Assembly	66	WF182-106A	Needle Attach. Retainer Pin
NS	172-TK2	Tune Up Kit (3,6,47,48,53,56,57)	67	182 VAC	Vacuum Attachment