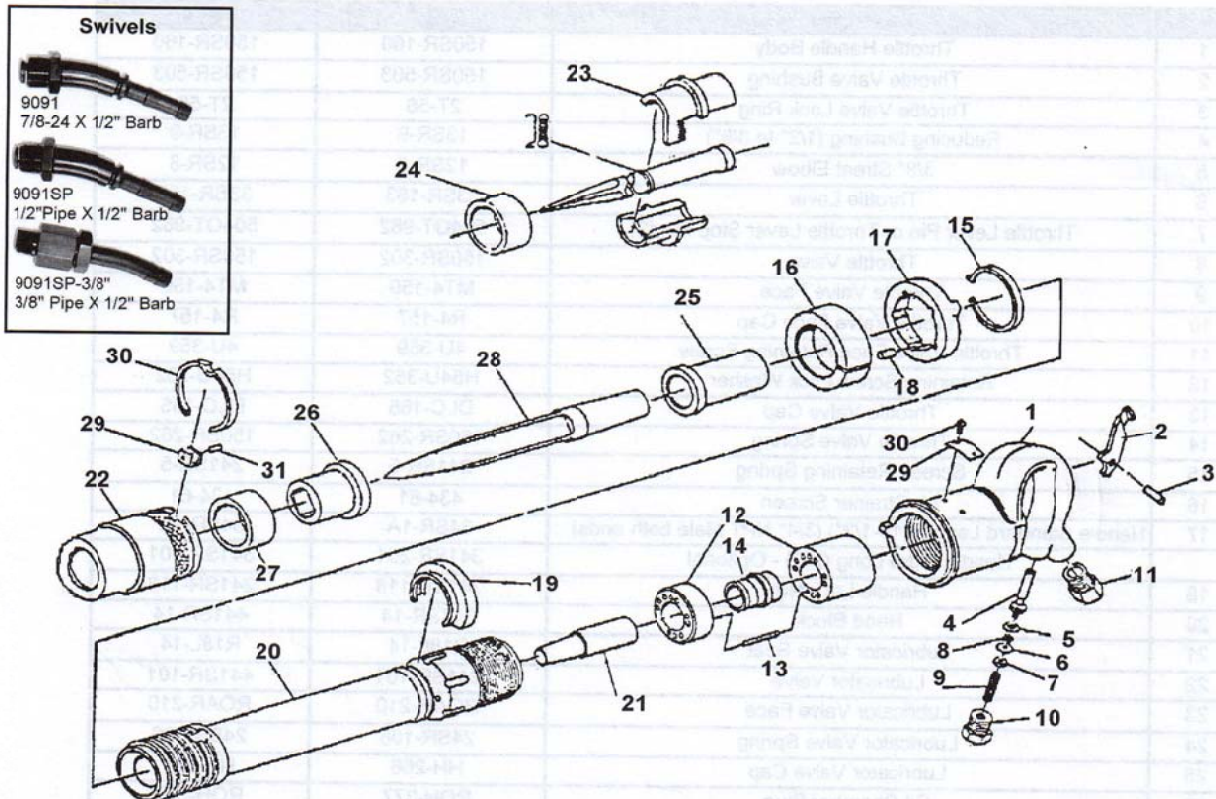


PARTS FOR INGERSOLL-RAND 9001 (9") & 11001 RIVET BUSTER (11")



Item No.	Part NO.	Description	Item No.	Part No.	Description
1	AS-1A	Handle Assembly	16	AS-195	Locking Spring Cover
2	H80-134A	Throttle Lever	17	AS-196	Locking Ring
3	F02-15	Throttle Lever pin	18	AS-197	Locking Ring Pin
4	8000-50	Rubber Faced T. Valve Assy	19	AS-85	Exhaust Deflector
5	8000-159A	Throttle Valve Face	20	9001-6	Barrel (9" Stroke)
6	8000-157	Throttle Valve Face Cap	20	11001-6	Barrel (11" Stroke)
7	73H-158	Throttle Face Cap Nut	21	9001-5	Piston
8	H54U-352	Throttle Face Lock Washer	22	9001-200	Retainer Nut
9	H80-11	Throttle Valve Spring	23	9RB-220	Split Nozzle
10	8000-109	Throttle Valve Cap	24	9RB-203	Rubber Buffer
11	H80-82A	Inlet Bushing	25	9001-220	Upper Sleeve
	9RB-A4	Valve Box Assey.	26	9001-201	Lower Sleeve
12	9RB-4	Valve Box	27	9001-203	Rubber Bumper
13	A-32	Dowel Pin		9001-A207	Lock Assembly
14	A-2	Valve	29	9001-208	Lock key (no longer used)
14	A-2-10	Oversize Valve .0010"	30	9RB-207	Lock Spring
	A-2-15	.0015"	31	FMD2-667	Lock Key Pin (no longer used)
	A-2-20	.0020"		15788	Handle Seating Reamer
15	AS-194	Locking Spring		28869	Throttle Lever Pin Punch
			*	HH1-A165	Swivel 3/8"male X 1/2" Barb