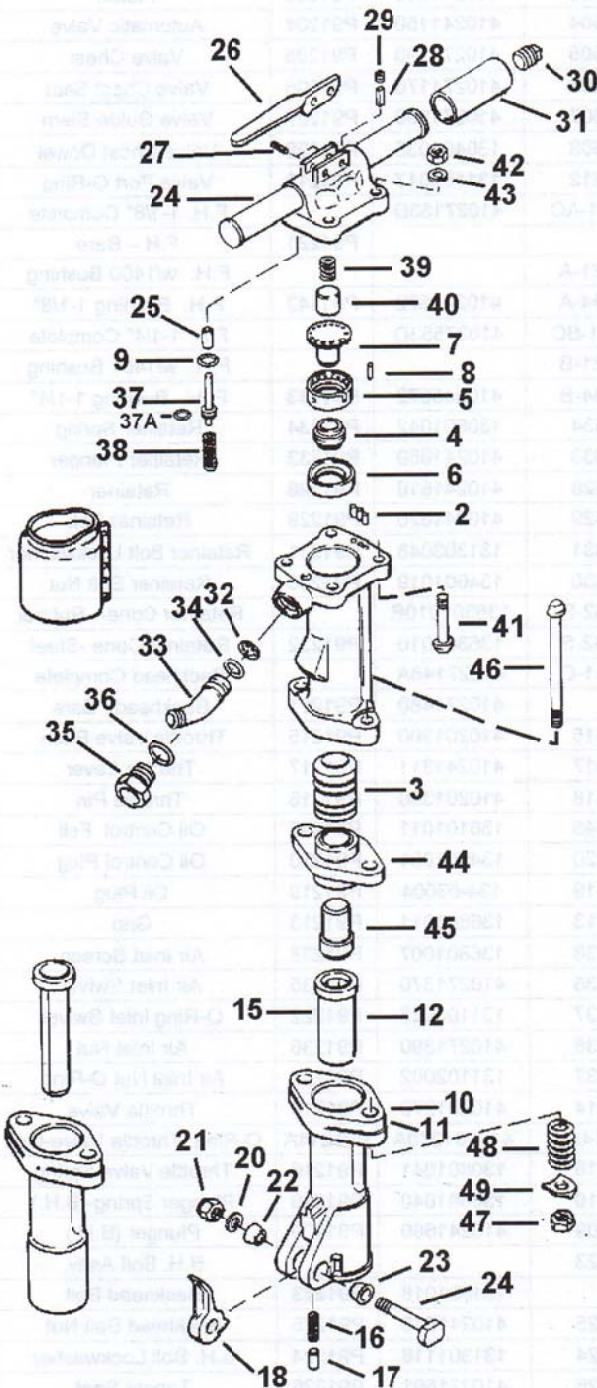


**TOKU-PB60, JET-JPB60,  
CONTINENTAL PB-60, HARPER 4025  
60LB PAVING BREAKERS**



LKIT-KENT6090  
Complete Latch Assembly



Item No.	Continental Harper	Tcku	JET	Description
1	6601	410241010	P61101	Cylinder
2	6602	136301011	P91202	Cylinder Nylon Plug
3	6603	410241041	P61103	Piston
4	6604	41021150	P91204	Automatic Valve
5	6605	410241190	P61105	Valve Chest
6	6606	410241170	P61106	Valve Chest Seat
7	6607	410241200	P61107	Valve Guide Stem
8	6608	130401035	P91208	Valve Chest Dowel
9	6612	131105017	P91212	Valve Port O-Ring
10	6521-AC	41024153D		FH 1-1/8" Complete
11		410241531	P91243	Fronthead-Bare
11	6621-A			FH w/1400 Bushing
12	6644-A	410241572	P61143	FH Bushing 1-1/8" Hex
13	6521-BC	41024553D		FH 1-1/4" Complete
14	6621-B			FH w/1401 Bushing
15	6644-B	410245572	P91243	FH Bushing 1-1/4" Hex
16	6634	130801042	P91234	Retainer Spring
17	6633	410241650	P91233	Retainer Plunger
18	6628	410241610	P91228	Retainer
19	6629	410241620	P91229	Retainer Bolt
20	6631	131303048	P91231	Retainer Bolt Lockwasher
21	6630	134601019	P91230	Retainer Bolt Nut
22	6632-R			Retainer Cone-Rubber
23	6632-S	136301010	P91232	Retainer Cone-Steel
24	6611-C	41024148A		Backhead - Complete
24		410241480	P61111	Backhead-Bare
25	6615	410201300	P91215	Throttle Valve Bushing
26	6617	410241311	P91217	Throttle Lever
27	6618	410201330	P91218	Throttle Pin
28	6645	136101011	P91245	Oil Control Felt
29	6620	134901001	P91220	Oil Control Plug
30	6619	134905010	P61119	Oil Plug
31	6613	136601011	P91213	Grip
32	6638	136801007	P91238	Air Inlet Screen
33	6035	410271370	P91235	Air Inlet Swivel (inc. 1639)
34	6046	131103023	P91222	O-Ring Inlet Swivel
35	6036	410271390	P91236	Air Inlet Swivel Nut (W/
36	6437	131102002	P91237	Air Inlet Nut O-Ring
37	6614	410201270	P91214	Throttle Valve
37A	6614A	410201270A	P91214A	O-Ring, TV—Optional
38	6616	130801041	P91216	Throttle Valve Spring
39	6610	130801040	P91210	Plunger Spring
40	6609	410241660	P91209	Plunger (backhead)
41	6623			Backhead Bolt Assy
41		131501015	P61123	Backhead Bolt
42	6625	410241510	P91225	Backhead Bolt Nut
43	6624	131301116	P91224	Backhead Bolt Lockwasher
44	6626	410241591	P61126	Tappet Seat
45	6627	410241581	P61127	Tappet
46	6639			Fronthead Bolt (inc. 1129)
46		131501016	P61139	Fronthead Bolt
47	6640	410241550	P91240	Fronthead Bolt Nut
48	6642	130801043	P91242	Fronthead Bolt Spring
49	6641	410241560	P91241	Fronthead Bolt Lockwasher
NS		130604040		Pin, Safety Lever
NS		410241760		Stop, Safety Lever
NS		130801046		Spring, Safety Lever
NS		41024187G		Muffler