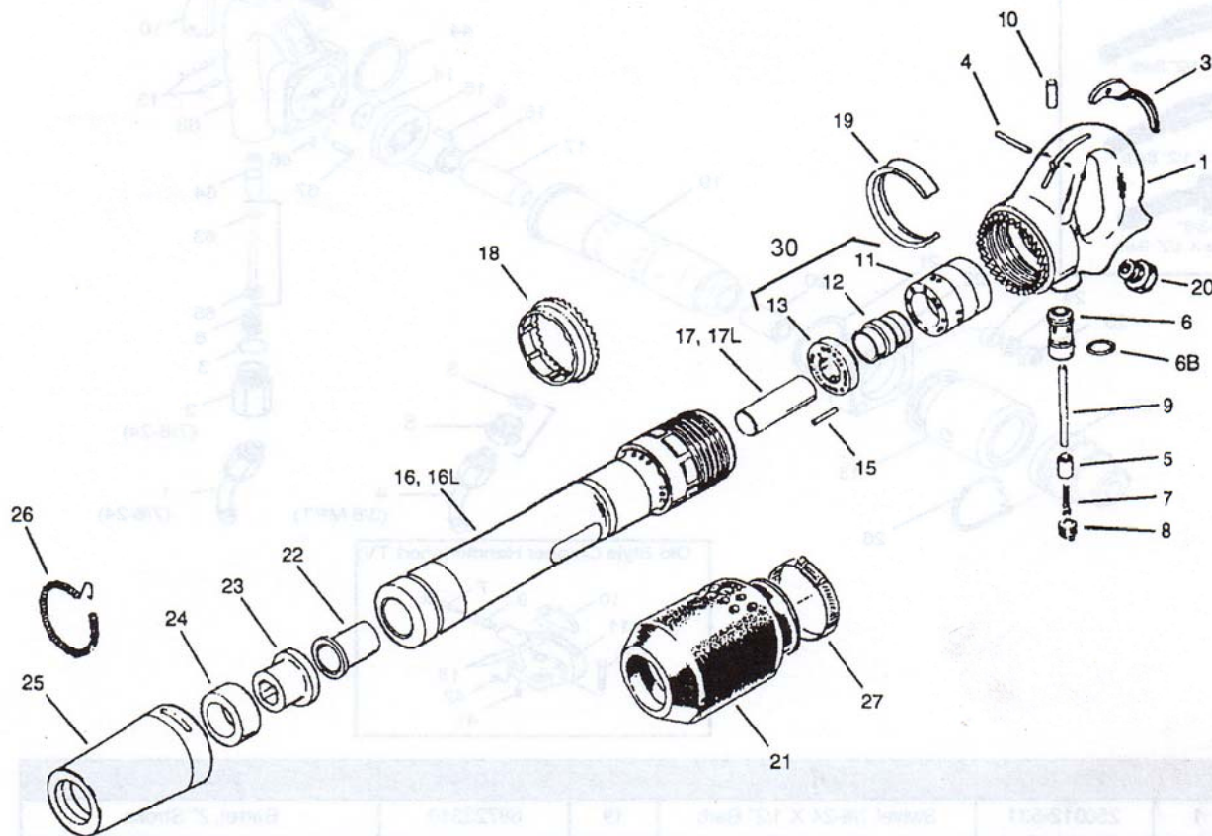


Parts for Sullair MRB-8 & MRB-11 Rivet Buster



INDEX NO.	PART NUMBER	QTY. REQ.	DESCRIPTION
1	02250095-896	1	Handle w/Bushing. #10
3	02250094-940	1	Throttle Lever,
4	02250094-897	1	Throttle Lever Pin
5	02250094-898	1	Throttle Valve
6	02250094-899	1	Throttle Valve Bushing
6B	02250094-901	1	O—Ring
7	02250094-902	1	Throttle Valve Spring
8	02250094-903	1	Throttle Valve Plug
9	02250094-904	1	Push Pin
10	02250094-905	1	Push Pin Bushing
11	02250094-906	1	Valve Box
12	02250094-907	1	Valve
13	02250094-908	1	Valve Cover Front
15	02250094-909	1	Valve Dowel Pin
16	02250094-910	1	Barrel, (MRB-3)
16L	02250094-911		Barrel, (MRB-11)
17	02250094-917	1	Piston, 3" (MRB-8)
17L	02250094-918	1	Piston, 4" (MRB-11)

INDEX NO.	PART NUMBER	QTY. REQ.	DESCRIPTION
DESCRIPTION			
18	02250094-912	1	Handle Lock Ring
19	02250094-913	1	Handle Lock Spring
20	02250094-914	1	Handle Bushing
21	02250094-915	1	Muffer
22	250029-072		Upper Sleeve Bushing (11X)
23	250013-625	1	Lower Sleeve Bushing (11X)
24	250013-626		Bumper
25	250035-776	1	Retainer
26	250013-594	1	Retainer Lock Spring
27	02250094-916		Muffer Clamp
28	Consult Factory	1	Hose, Whip
Assemblies (NS = Not Shown)			
NS	02250094-938		Handle Assembly Complete includes Items # 1, 3, 4, 5, 6,
30	02250094-939		Valve Assembly, includes Items # 11, 12, 13 & 15.