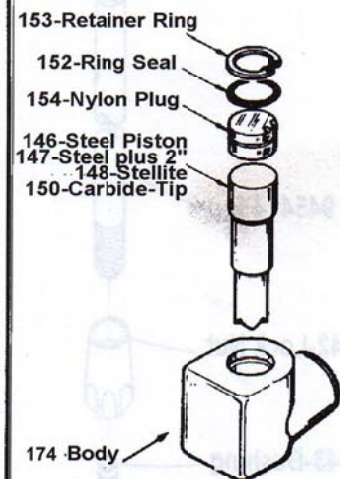
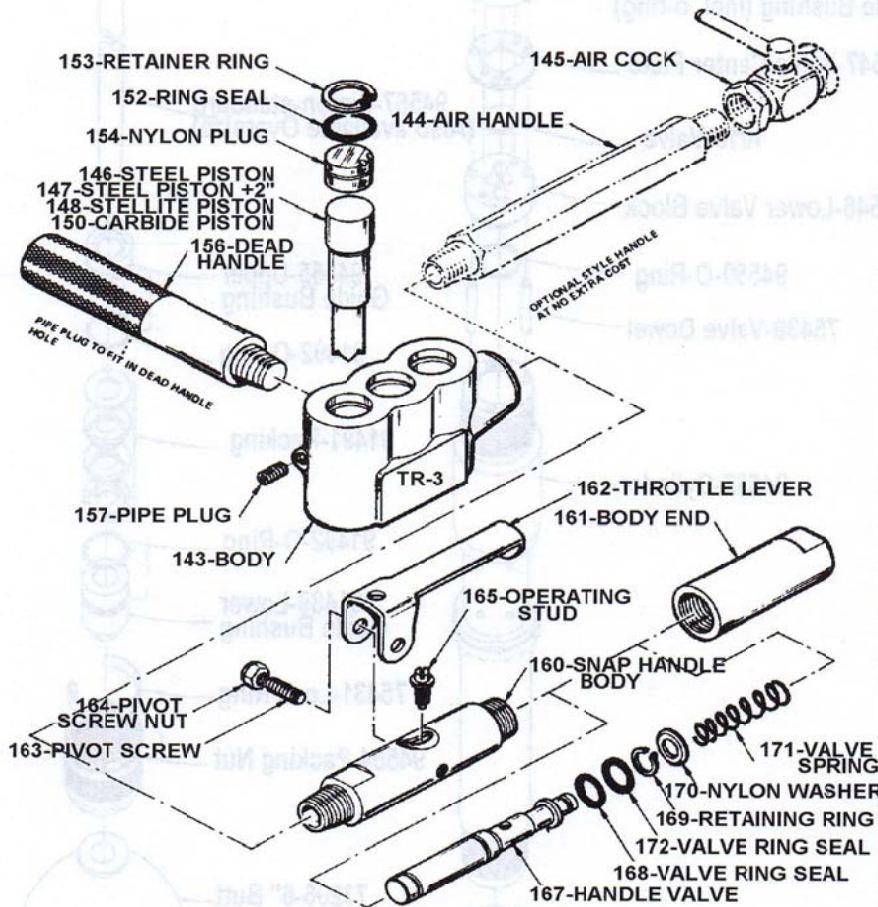


**PARTS FOR PISTON SCALERS**  
**PNEUMATIC TOOL SALES (PTS) Model 11 (single) and 326 (triple)**  
**TEXAS PNEUMATIC S-1 (single) and T-3 (triple) PISTON SCALER**  
**CLECO SC-3A (triple) PISTON SCALER**

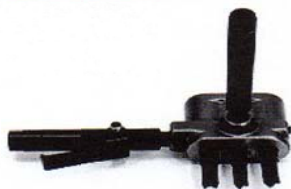
**TRIPLE PISTON**

**SINGLE PISTON**



**New Scabblers available**

Model#	Stroke	Length	Weight	Bore	Inlet	BPM	Min Hose Size	CFM
S1	13/16"	9"	4LBS. 8 OZ.	7/8"	3/8"	4000	3/8" ID	9
T3	13/16"	11"	8LBS. 4 1/2 OZ.	7/8"	3/8"	5200	3/8" ID	15



T3

Available with carbide tipped or steel pistons



S1