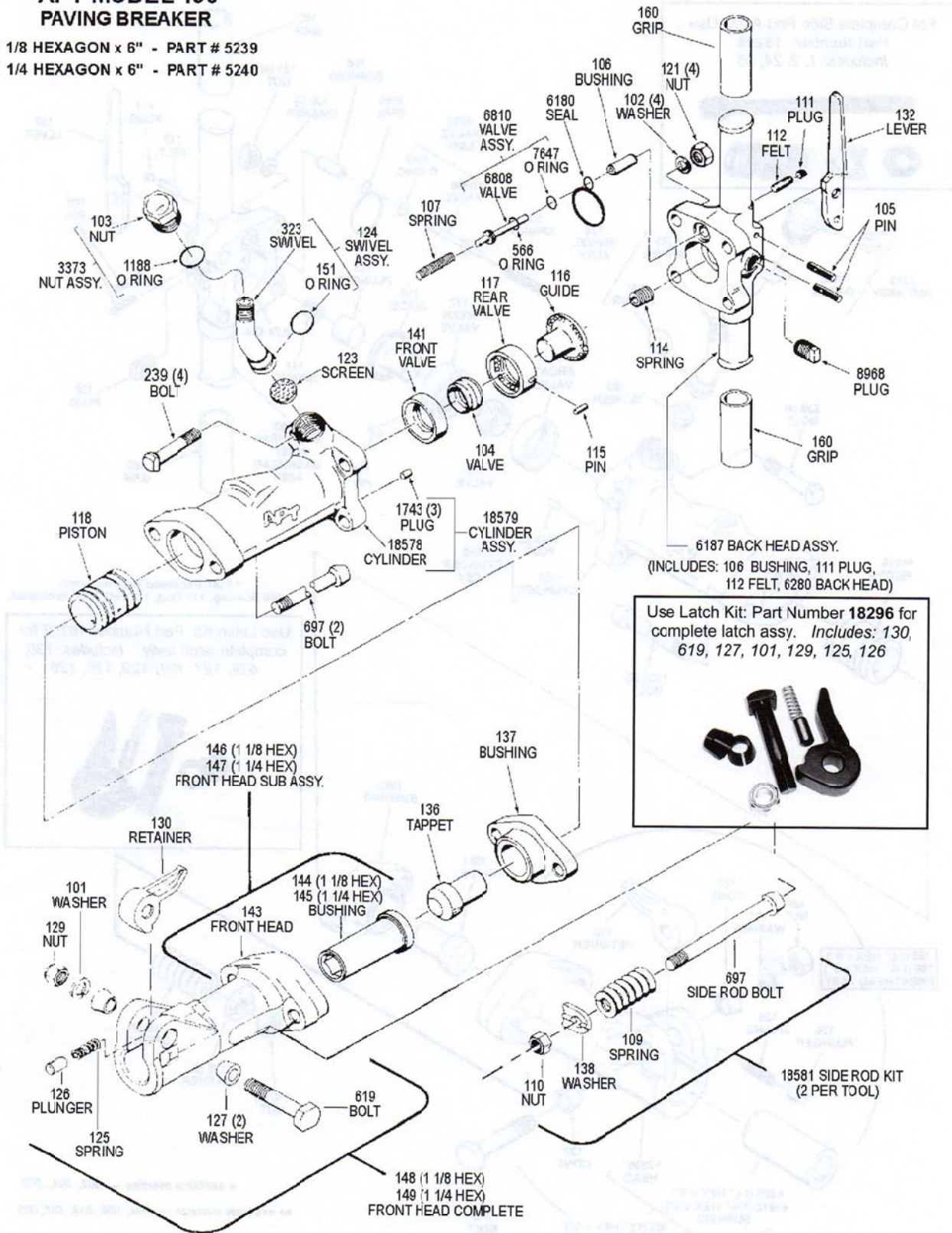


APT Model 190 Paving Breaker (90 lb) (replaced model 180)

APT MODEL 190 PAVING BREAKER

1 1/8 HEXAGON x 6" - PART # 5239

1 1/4 HEXAGON x 6" - PART # 5240



Use Latch Kit: Part Number **18296** for complete latch assy. Includes: 130, 619, 127, 101, 129, 125, 126

