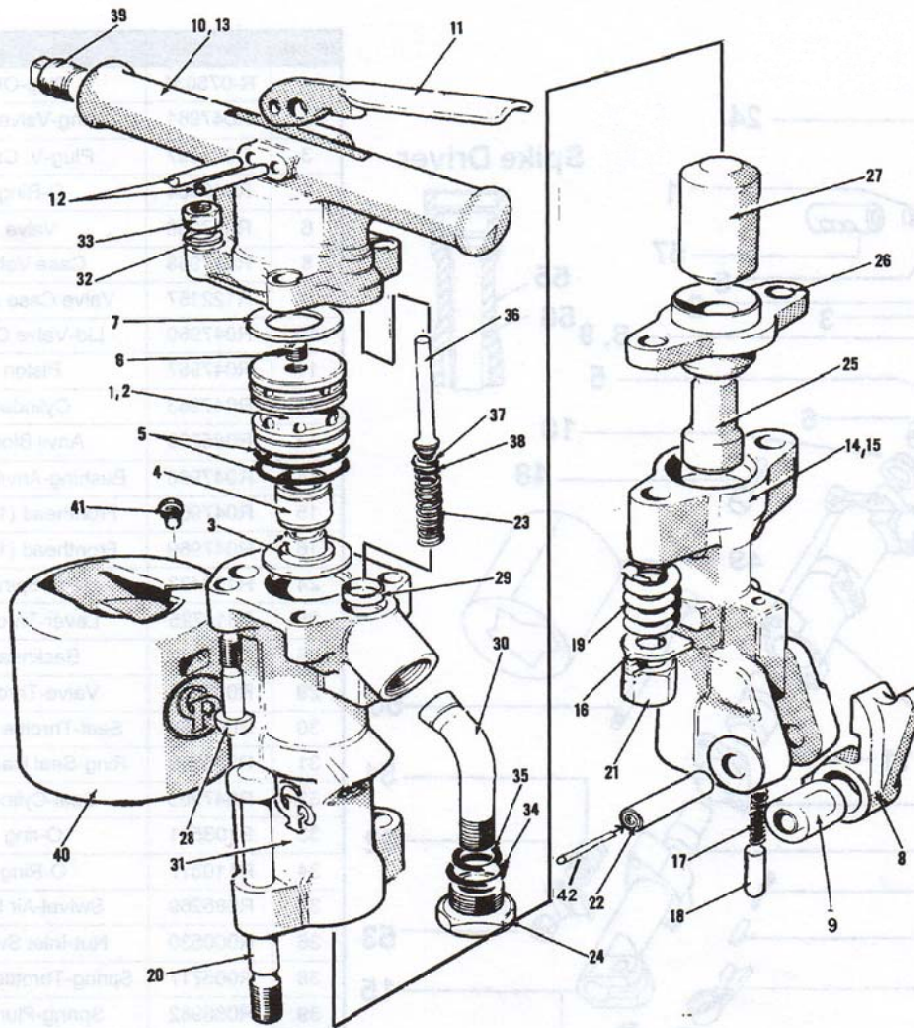


CP-1210 & 1210S DEMOLITION TOOLS (35 lbs)



For Complete Latch Assy. Use
Part Number: **Z8313447**
Includes: 8, 9, 17, 18, 22, 42



Side Rod Kit.
Part Number: **SKIT-CP1210**
Includes: 16, 19, 20, 21



Item No.	Part No.	Description	Item No.	Part No.	Description
1	F-815071	Valve Case Assembly	22	R-133434	Pin-Spirol
2	R-110206	Case-Valve	23	R-005717	Spring-Throttle Valve
3	R-110207	Cover-Valve Case	24	R-075599	Nut-Air Inlet
4	R-110208	Valve	25	R-085427	Anvil Block
5	R-110210	O-Ring	26	R-110203	Bushing-Anvil Block
6	C-054897	Plug-Pipe (1/8")	27	R-110212	Piston
7	R-110209	Spacer-Valve Case	28	R-110214	Bolt-Backhead
8	R-092493	Retainer Latch	29	R-110215	Seal-Cylinder
9	R-048540	Bushing Latch	30	F-814720	Swivel-Air Inlet
10	F-815274	Backhead Complete	31	F-814724	Cylinder
11	F-814725	Lever-Throttle	32	C-065384	Lockwasher
12	R-133433	Pin-Spirol	33	R-114525	Nut-Backhead
13	F-814723	Backhead- Bare	34	R-056605	O-Ring
14	F-815680	Fronthead Complete	35	C-106884	O-Ring
15	F-815478	Fronthead	36	R-092894	Valve-Throttle
16	R-041073	Lock-Nut	37	R-098368	Seal-Throttle Valve
17	R-086982	Spring-Plunger	38	R-098369	Ring-Valve Seal
18	R-092497	Plunger-Latch	39	R-075031	Plug-Oil
19	R-093698	Spring-Fronthead	40	F-814928	Muffler-Complete
20	R-110217	Bolt-Fronthead	41	R-117415	Screw-Allen Cap
21	R-110218	Nut-Fronthead Bolt	42	R-139735	Pin-Inner