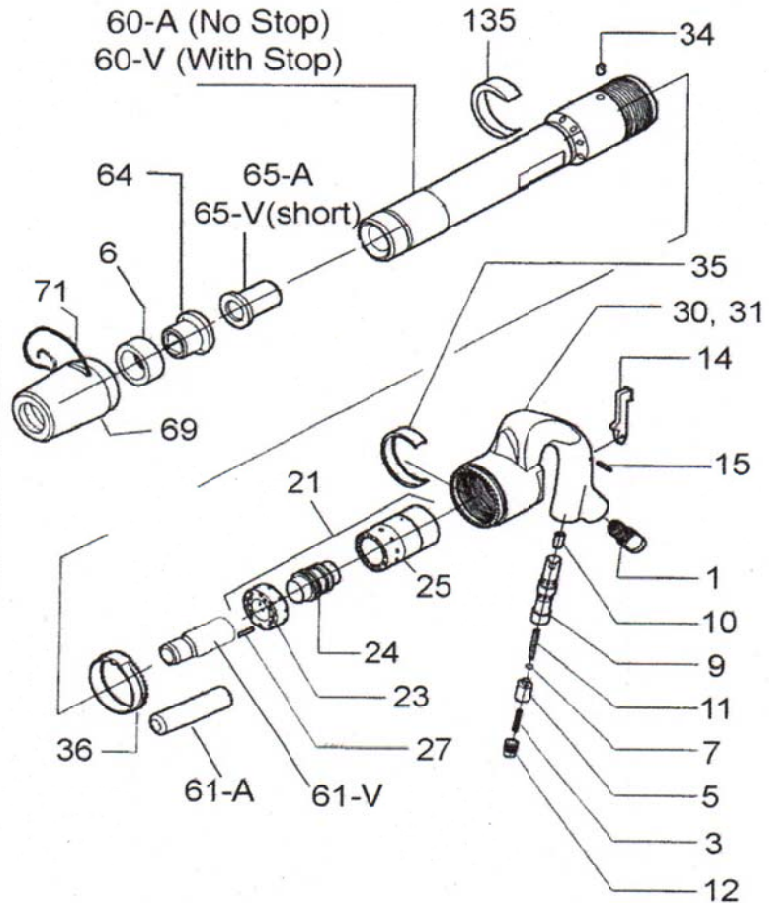
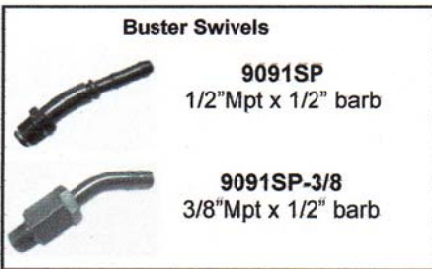


Chicago Pneumatic Model 4181-A Rivet Buster—Before 2005 (non-retained piston)
Chicago Pneumatic Model 4181-V Rivet Buster 2005-2008 (with retained piston)

**** Model Notes:**
 Check the Model Numbers Carefully. Some parts will not interchange between the model-A and Model-V

4181-A manufactured Before 2005.
 Discontinued 2005.

4181-V Manufactured Between 2005 and 2008.
 Discontinued 2008.



Item No.	Part No.	Description	Item No.	Part No.	Description
1	P001983	Bushing-Air Inlet	34	P001430	Key-Lock Collar
3	F001853	Spring-Valve	35	P001355	Clip-Spring
5	F001799	Valve-Throttle w/ O-Ring	36	P001399	Collar-Lock
7	F083071	O-Ring	60-A	P-071848	Cylinder (8") No Piston Stop
9	F007325	Tube-Throttle	60-A	P-073310	Cylinder (11") No Piston Stop
10	F004839	Bushing	60-V	R157980	Cylinder (8") with Piston Stop
11	F004834	Pin-Push	60-V	R157979	Cylinder (11") with Piston Stop
12	F001873	Plug-valve Tube	61-A	P001225	Piston (8" Stroke-No Stop)
14	F001982	Lever-Throttle	61-A	P001231	Piston (11" Stroke-No Stop)
15	F001915	Pin-Lever	61-V	R157982	Piston (8" Stroke-With Stop)
21	F007385	Valve Complete	61-V	R157981	Piston (11" Stroke-With Stop)
23	F006320	Lid-Valve Case	64	P072333	Sleeve-Lower
24	F001538	Valve	65-A	P072332	Sleeve-Upper (Standard Length)
25	P006319	Case Valve	65-V	P156988	Sleeve-Upper (Short Length)
27	P001632	Dowel	68	P072334	Bumper-Rubber
30	P007164	Handle Complete	69	P071849	Sleeve Retainer
32	P007347	Handle-Bare	71	P073942	Spring-Lock
			135	P001389	Deflector-Exhaust