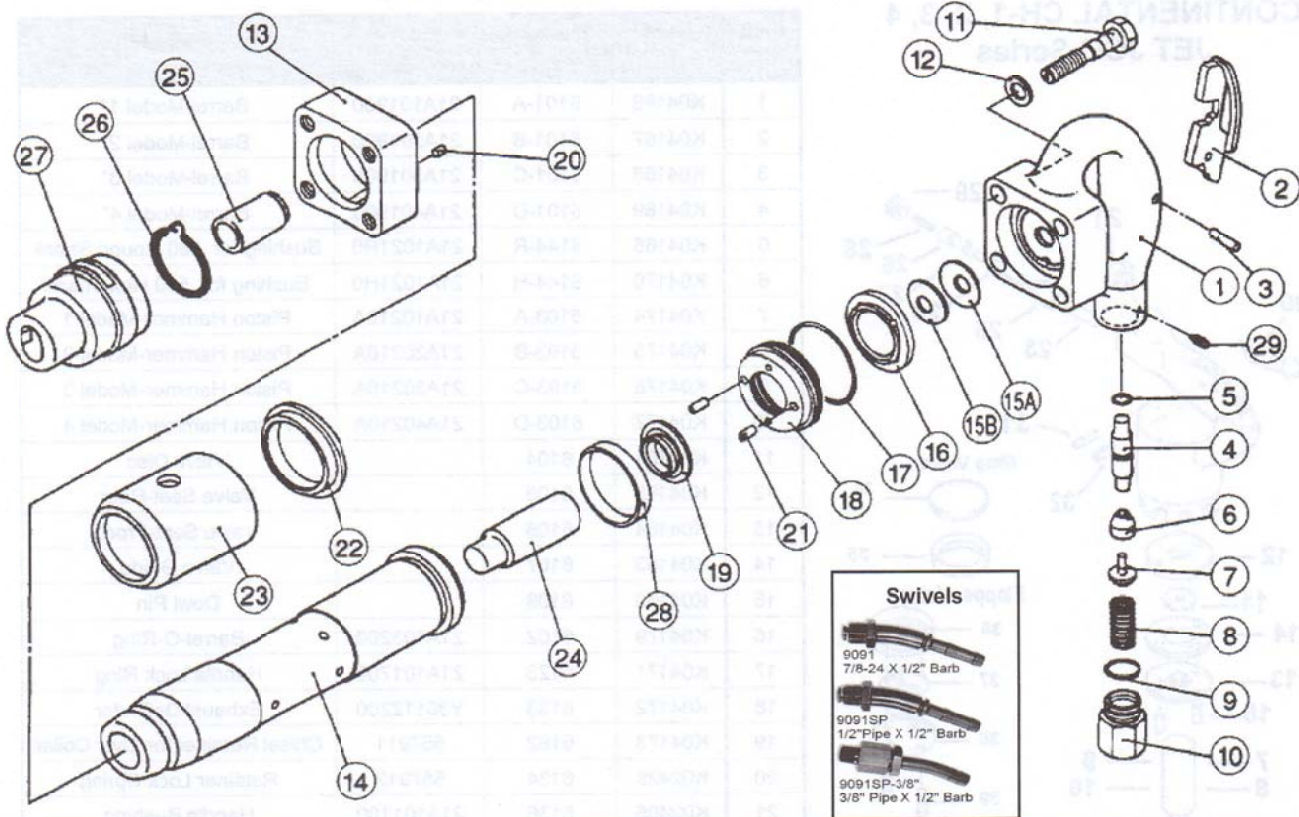


**JET FBCH, CONTINENTAL CFH-2, 3, 4, TOKU THH-6B, 7B, 8B, 9B 4 BOLT CHIPPING HAMMERS (15 lb)**



Index	Continental	Jet	Toku	Description	Index	Continental	Jet	Toku	Description
1	6170	12A100C10	Y10219010	HANDLE-BARE	17	6187	12A100170	Y10219170	O-RING
1A		Y1021901A	Y1021901A	HANDLE ASSY.	18	6188	12A100180	710219180	VALVE BOX
2	6171	22A90002A	Y1062002A	TRIGGER	19	6189	12A100190	Y10219190	VALVE
3	6172	22A900003	Y10620030	ROLL PIN	20	6190	12A100200	Y10219200	CLYINDER PIN
4	6173	22A900004	Y10620040	PUSH ROD	21	6191	12A100210	Y10219210	VALVE PIN
5	6174	22A900005	Y31110030	O-RING	22	6192	12A100220	Y10219220	EX. COVER
6	6175	22A900006	Y10601050	INLET VALVE	23	6193-2	12A100230	710219230	EX COVER (LOWER) FOR 1" & 2" STROKE
7	6176	22A900007	Y10620070	INLET VALVE					
8	6177	22A900008	Y10620080	INLET SPRING		6193-3	12A300230	Y10223230	EX COVER (LOWER) FOR 3" & 4" STROKE
9	6178	Y10219090	Y10219090	LOCK WASHER					
10	6179	Y1021910A	Y1021910A	SCREW BUSHING	24		12A100240	Y10219240	PISTON FOR 1"
11	6180	12A10010	Y10219110	BACK HEAD BOLT		6194-2	12A200240	Y10221240	PISTON FOR 2"
12	6181	12A100120	Y10219120	WASHER		6194-3	12A300240	Y10223240	PISTON FOR 3"
13	6182	12A100130	Y10219130	BACK HEAD		6194-4	12A400240	Y10225240	PISTON FOR 4"
14		12A100140	Y10219140	CYLINDER 1"	25	6144-h	21A1021H0	Y1021925H	HEX BUSHING
	6183-2	12A200140	Y10221140	CYLINDER 2"		6144-r	21A1021R0	Y1021925R	ROUND BUSHING
	6183-3	12A300140	Y10223140	CYLINDER 3"	26	9105	557912	Y10212300	RETAINER SPRING
	6183-4	12A400140	Y10225140	CYLINDER 4"	27	9101	557911	Y10212290	RETAINER
15A	6184	12A10015H	Y1021915H	PLATE (THICK)	28	6195	12A100280	Y10219280	RING
15B	6185	12A10015L	Y1021915L	PLATE (THIN)	29	6196	Y1021929A	Y1021929A	SET SCREW
16	6186	12A100160	Y10219160	VALVE COVER	N/S	9135	557913		HOSE SWIVEL