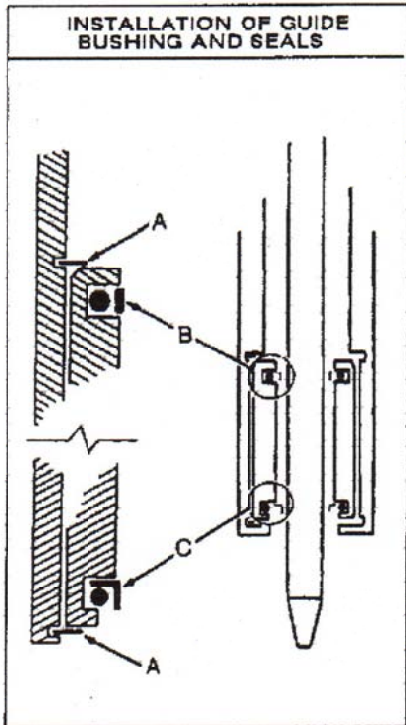
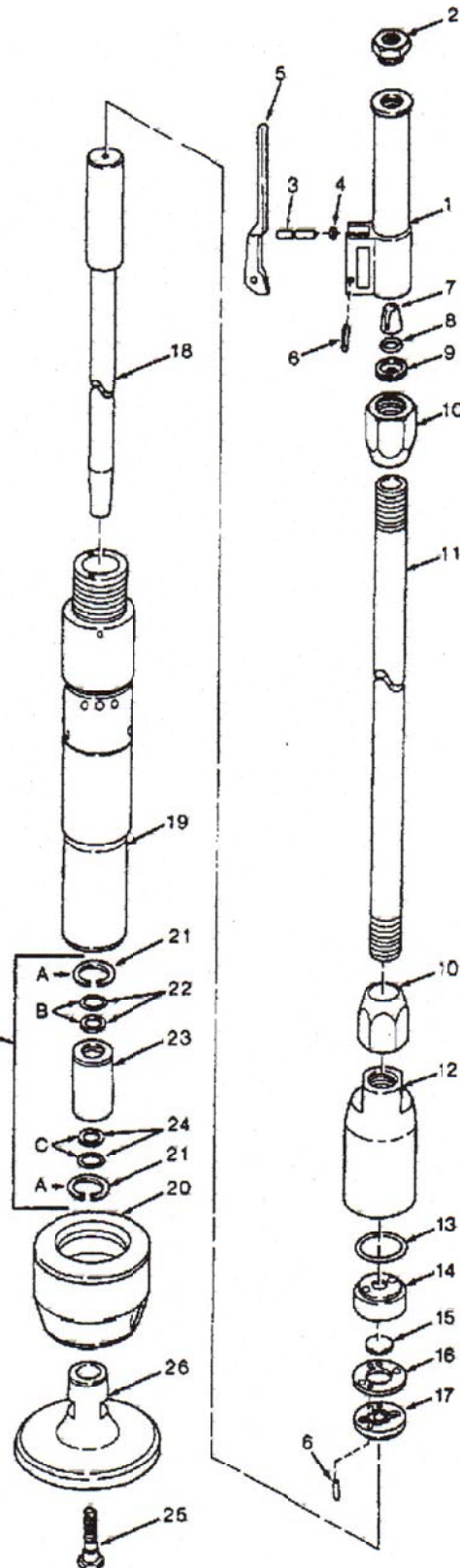
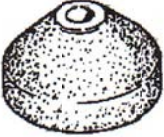

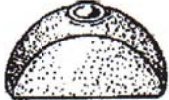






MBT-6 ILLUSTRATION



REFER TO INSERT FOR INSTALLATION



OPTIONAL ACCESSORIES		
<p>30</p>  <p>6" DIAMETER MALLEABLE IRON BUTT</p>	<p>31</p>  <p>POLE BUTT</p>	<p>32</p>  <p>RECTANGULAR POLE BUTT MALLEABLE IRON</p>
<p>33</p>  <p>4" DIAMETER ALUMINUM BUTT</p>	<p>34</p>  <p>3" DIAMETER ALUMINUM BUTT</p>	<p>40</p>  <p>3/8" NPT INLET SWIVEL</p>
<p>41</p>  <p>WHIP HOSE</p>		

PARTS LIST						
INDEX NO.	PART NUMBER	QTY. REQ.	DESCRIPTION	INDEX NO.	PART NUMBER	QTY. REQ. DESCRIPTION
1	68722626	1	Handle, Throttle Bare	Optional Butts and Accessories		
2	68722224	1	Bushing, Air Inlet	30	250034-783	1 Butt, Malleable Iron 6" Diameter
3	68722624	1	Pin, Push Throttle Valve	31	250034-467	1 Butt, Half Moon Pole - Iron
4	68520851	1	O-Ring, Push Pin	32	250034-782	1 Butt, 2 1/4" x 5 5/8" Rectangular - Iron
5	68722627	1	Lever, Throttle Valve	33	250034-784	1 Butt, 4" Diameter - Aluminum
6	68VV5628	2	Pin	34	250034-785	1 Butt, 3" Diameter - Aluminum
7	68721468	1	Valve, Throttle		250035-320	1 Butt, 5" Diameter - Neoprene (Not Shown)
8	68CJ0181	1	O-Ring	40	250012-532	1 3/8" NPT Inlet Swivel
9	68722621	1	Seat, Throttle Valve	41	250031-645	1 Hose, Whip 1/2" ID x 8' w/#3/8" NPT swivel
10	68722622	2	Nut, Lock Connecting Pipe			
11	68722623	1	Pipe, Connecting			
12	68722615	1	Head, Cylinder			
13	68CJ0032	1	O-Ring, Valve Seat			
14	68722617	1	Seat, Valve Upper			
15	68ML3024	1	Disc, Valve			
16	68722619	1	Guide, Valve Disc			
17	68722616	1	Seat, Valve Lower			
18	68722614	1	Piston			
19	68722613	1	Cylinder			
20	68722600	1	Deflector, Exhaust			
21	68524214	2	Ring, Snap			
22	68524215	1	Seal, Dust Upper			
23	68722618	1	Bushing, Piston Guide			
24	68524216	1	Seal, Dust Lower			
25	68722620	1	Screw, Butt Clamp			
26	68722625	1	Butt, Steel 6" Diameter			