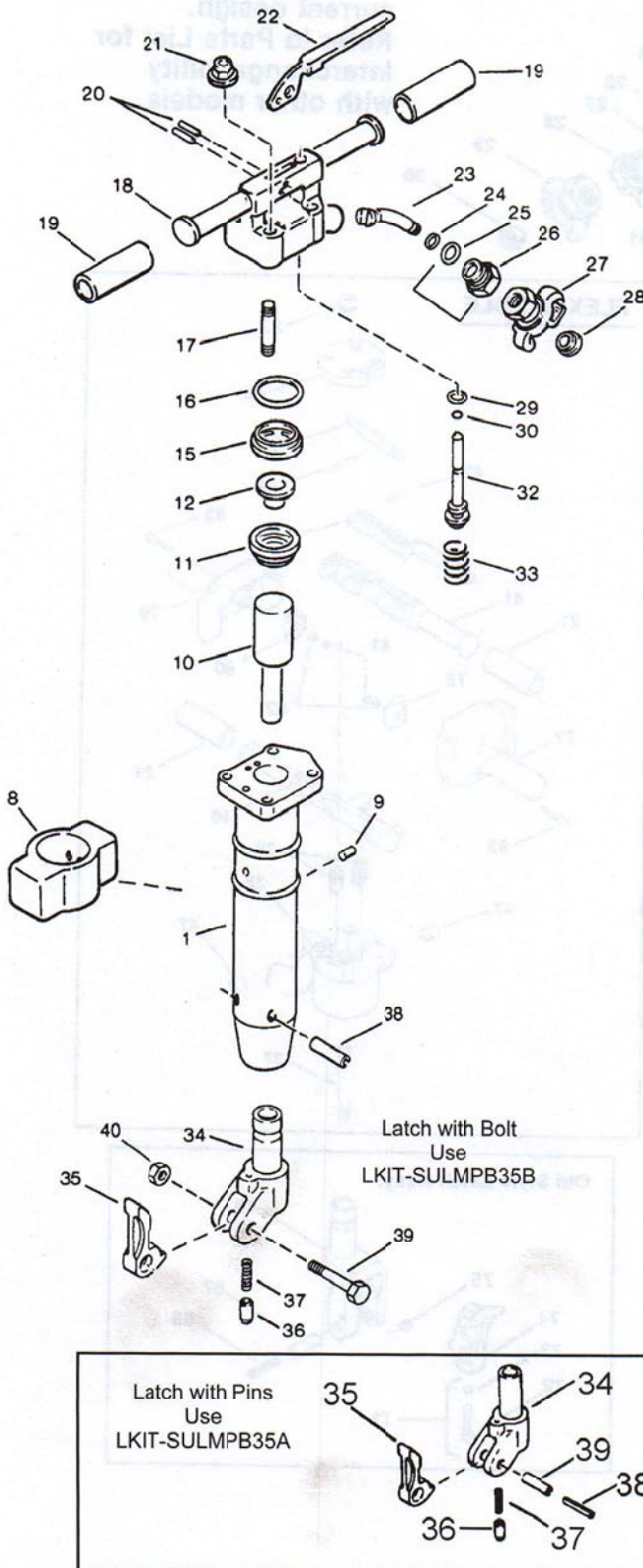


## Parts for Sullair MPB-35A & MPB-35B Paving Breaker (35 lbs)



Index	Part No.	Description
1	68723004	Cylinder
8	68722741	Deflector, Exhaust
9	68524129	Pin, Exhaust Deflector
10	68780267	Piston
11	68722738	Seat, Valve
12	68722740	Valve, Automatic
15	68722739	Chest, Valve
16	68CJ0034	O-Ring
17	68722414	Stud-Backhead
18	68722389	Backhead-Bare
19	68722463	Grip-Rubber
20	68723013	Pin, Throttle Lever
21	68VE9016	Nut, Backhead Stud
22	68723110	Lever, Throttle
23	68722381	Swivel, Air Inlet
24	68CJ0012	O-Ring
25	68CJ0018	O-Ring
26	68722382	Nut, Air Inlet Swivel
27	68524154	Coupling, Universal
28	250015-228	Washer, Hose Coupl.
29	68CJ0820	O-Ring
30	68CJ0005	O-Ring
31	68CJ0181	O-Ring
32	02250056-403	Valve, Throttle Kit
33	68MR1600	Spring, Throttle Valve
34	68722583	Bushing, 1" Hex w/ Fronthead
35	68723107	Retainer, Steel
36	68722737	Plunger, Steel Ret.
37	68MR0707	Spring, Ret. Plunger
38	68524011	Pin, Roll-Small
39-old	68521668	Pin, Roll-Large
39-new	68723026	Latch Bolt
40	68VE8162	Nut