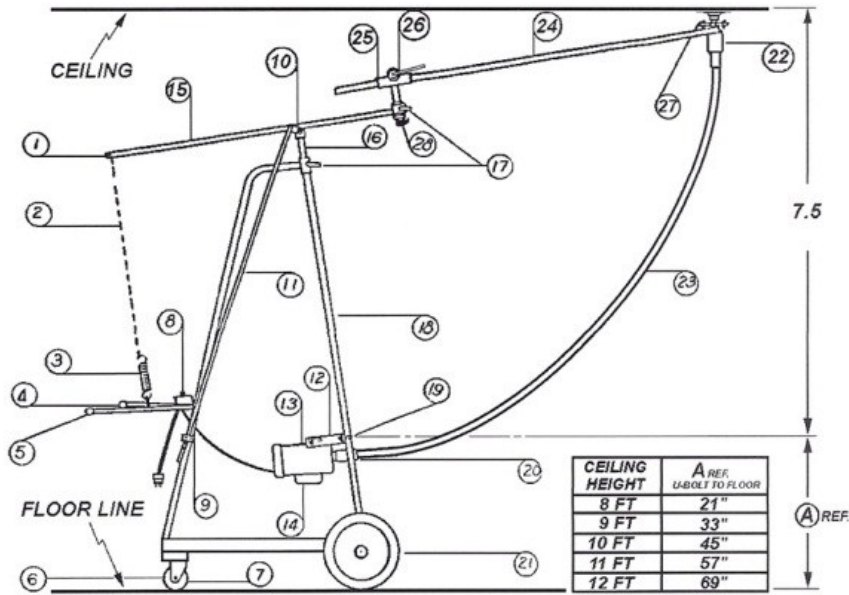
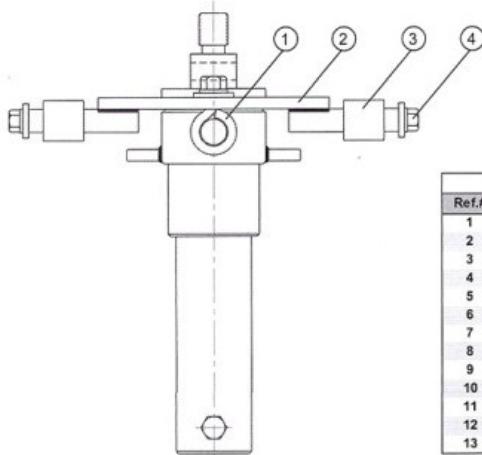


CEILING GRINDER PARTS



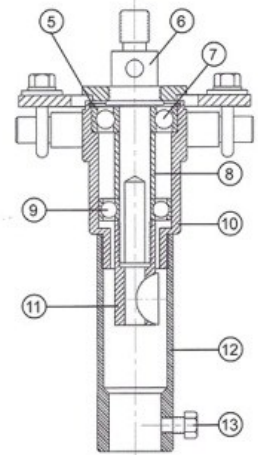
Ref.#	Part #	Description
1	444F4	BUTTON PLUG
2	332A1	CHAIN ASSEMBLY
3	91B1	EXTENSION SPRING
4	36A1	HAND GRIP
5	389F2	TENSION HANDLE
6	321B1	BUSHING
7	290G1	SWIVEL WHEEL
8	177B1	SWITCH (ELECTRIC)
"	31A1	THROTTLE (GAS)
9	58D42	U-BOLT WITH PLATE
10	98E1	CROSS ROD
11	98C2	SUPPORT ROD
12	316K1	MOTOR BRACKET (ELECTRIC)
"	316E1	MOTOR BRACKET (GAS)
13	386AA1	MOTOR PLATE (ELECTRIC)
14	6625ES2	POWER UNIT (ELECTRIC)
"	6850AC1	POWER UNIT (HONDA GAS)
15	374X1	CROSS ARM FRAME
16	98D1	EXTENSION ROD
17	27D1	LOCK HANDLE

Ref.#	Part #	Description
18	374H1	FRAME
19	58D11	U-BOLT
20	271B2	CORE ADAPTER (ELECTRIC)
"	270H2	CASING ADAPTER (ELECTRIC)
"	271CY2	CORE ADAPTER (GAS)
"	270FD2	CASING ADAPTER (GAS)
21	290F1	WHEEL
22	6950C1	GRINDING HEAD ASSEMBLY
23	FS CG 07	FLEXSHAFT ASSEMBLY (for CG12E)
"	C CG 07	INNER CORE ONLY (for CG12E)
"	CAS CG 07	CASING ONLY (for CG12E)
"	FS CG 07 HD	HD FLEXSHAFT ASSEMBLY (for CG12G)
"	C CG 07 HD	HD INNER CORE ONLY (for CG12G)
"	CAS CG 07 HD	HD CASING ONLY (for CG12G)
24	374Y1	ADJUSTABLE ROD FRAME
25	316J1	ROD BRACKET
26	388N1	CG LOCK HANDLE
27	465B1	SLEEVE
28	465B2	SLEEVE



6950C1 - CEILING GRINDER HEAD EXTERNAL VIEW.

6950C1 - CEILING GRINDER HEAD			
Ref.#	Part #	Description	List Price
1	58E3	CG HEAD EYEBOLT (F1)	\$2.87
2	386T1	CG HEAD SWIVEL PLATE	\$44.98
3	465B1	CG HEAD SLEEVE.	\$1.92
4	58A1	HEX HEAD SCREW, 1/4"-20 x 1/2"	\$0.83
5	172C40	INTERNAL RETAINING RING (N5000-187)	\$1.92
6	228CD1	CG HEAD SPINDLE	\$64.55
7	207S4	CG HEAD BEARING, TOP (6303ZZ)	\$25.84
8	462BF1	CG HEAD SPACER	\$4.91
9	207R4	CG HEAD BEARING, BOTTOM (6203ZZ)	\$19.46
10	367AE1	CG HEAD HOUSING, TOP	\$122.30
11	271AH1	CG HEAD CORE ADAPTER	\$53.37
12	367AF1	CG HEAD HOUSING, BOTTOM	\$44.25
13	58A26	HEX HEAD SCREW, 5/16"-18 x 1/2"	\$0.83



6950C1 - CEILING GRINDER HEAD INTERNAL VIEW.

NOTE: ALL REQUIRED HARDWARE IS INCLUDED WITH EACH PART.