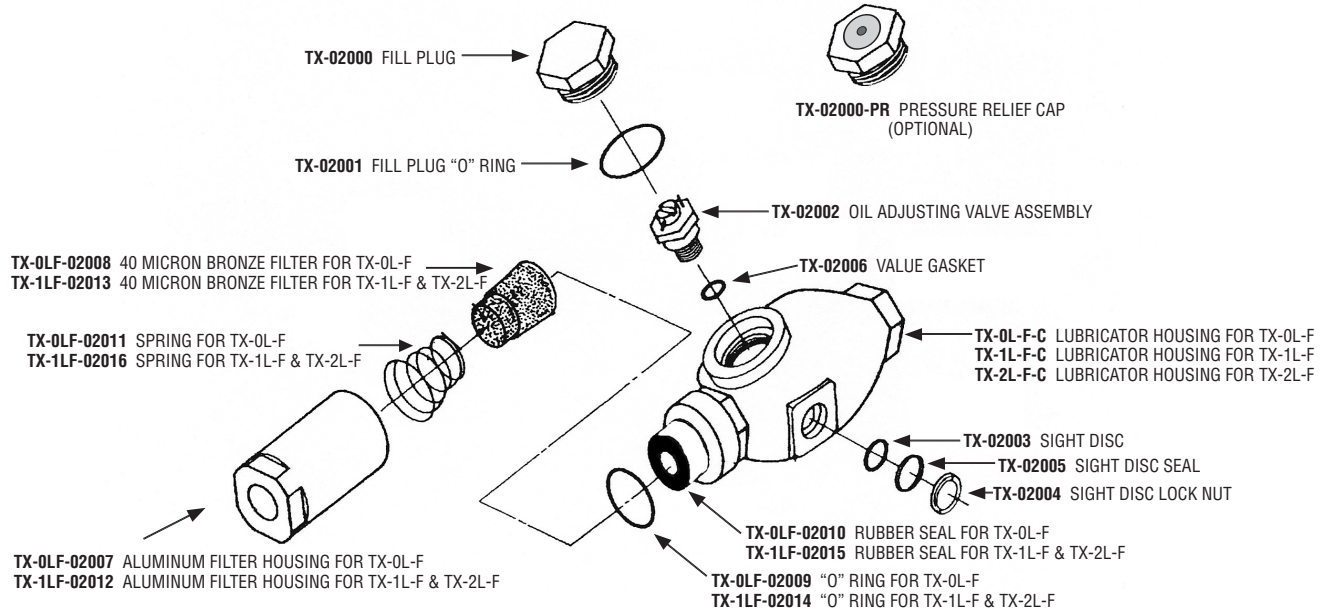


TEXAS PNEUMATIC TOOLS, INC.

Service, Operation AND Parts Manual

IN-LINE FILTER / LUBRICATOR



TOOL SPECIFICATIONS

MODEL NUMBER	OIL CAPACITY	AIR FLOW CAPACITY	INLET / OUTLET THREAD SIZE (*)	MAXIMUM WORKING PRESSURE	RECOMMENDED OIL WEIGHT
TX-0L-F	1.4 fl. oz. 39.69 grams	30 CFM 849.5 l/min	1/2" NPT 12.7 mm	500 psi 34.5 BAR	5 - 10 WT.
TX-1L-F	3.7 fl. oz. 104.89 grams	70 CFM 1982.2 l/min	3/4" NPT 19.05 mm	260 psi 17.9 BAR	5 - 10 WT.
TX-2L-F	11.0 fl. oz. 311.84 grams	70 CFM 1982.2 l/min	3/4" NPT 19.05 mm	300 psi 20.7 BAR	5 - 10 WT.

DESCRIPTION: These are heavy duty in-line lubricators to be installed in air line within 6-8 feet of tool. Rugged construction will allow dragging on floor or ground behind tool. Designed for use with tools being used too far away from compressor to be lubricated by a permanently mounted unit. The bronze filler element should be periodically cleaned or replaced. (*) British Standard Thread (BSP) also available. Nickel Plate (NP) option available.

INSTALLATION: Most effective installation is about 6 feet from tool. On new hose whip installation, pour 1/2 ounce of oil directly in hose to coat with lubricant, so tool will not run dry while hose is being coated.

ADJUSTMENT: At the bottom of the oil reservoir is an oil adjusting valve assembly. Remove the filler cap to adjust. The brass metering valve can easily be adjusted with a screwdriver. A setting of 5 to 10 is suitable for most applications, but viscosity, pressure, and compressed air flow (CFM) all determine oil usage, so experience based on usage will be your best guide.

~ Made in U.S.A. ~

www.airtools.com

Email: tptinfo@airtools.com

TEXAS
1-800-231-9740

NEVADA
1-800-858-1222

VIRGINIA
1-800-626-1091

MICHIGAN
1-877-575-5733

254-587-2533 (Int'l calls)

Hose Whip Assemblies with Filter / Lubricators

PART #	COUPLING + LUBRICATOR + 6' HOSE + CONNECTOR
TX-1HW-F	Crowfoot + TX-0L-F + 6' 300 PSI, 1/2" ID Hose + 1/4" MPT
TX-2HW-F	Crowfoot + TX-0L-F + 6' 300 PSI, 1/2" ID Hose + 3/8" MPT
TX-3HW-F	Crowfoot + TX-0L-F + 6' 300 PSI, 1/2" ID Hose + 1/2" MPT
TX-4HW-F	Crowfoot + TX-0L-F + 6' 300 PSI, 1/2" ID Hose + 7/8" -24 Thread Hose Swivel (TX-01087)
TX-4HW-F-1/2	Crowfoot + TX-0L-F + 6' 300 PSI, 1/2" ID Hose + 1/2" MPT Bent Swivel (TX-00988)
TX-5HW-F	Crowfoot + TX-1L-F + 6' 300 PSI, 1/2" ID Hose + 3/8" MPT
TX-6HW-F	Crowfoot + TX-1L-F + 6' 300 PSI, 1/2" ID Hose + 1/2" MPT
TX-7HW-F	Crowfoot + TX-1L-F + 6' 300 PSI, 1/2" ID Hose + 3/4" MPT
TX-8HW-F	Crowfoot + TX-1L-F + 6' 300 PSI, 1/2" ID Hose + 7/8" -24 Thread Hose Swivel (TX-01087)
TX-8HW-F-1/2	Crowfoot + TX-1L-F + 6' 300 PSI, 1/2" ID Hose + 1/2" MPT Bent Swivel (TX-00988)
TX-9HW-F	Crowfoot + TX-1L-F + 6' 300 PSI, 1/2" ID Hose + Crowfoot Hose End
TX-10HW-F	Crowfoot + TX-2L-F + 6' 300 PSI, 1/2" ID Hose + Crowfoot Hose End
TX-11HW-F	Crowfoot + TX-2L-F + 6' 300 PSI, 1/2" ID Hose + 1/2" MPT
TX-12HW-F	Crowfoot + TX-2L-F + 6' 300 PSI, 3/4" ID Hose + 3/4" MPT
TX-12HW-F-1/2	Crowfoot + TX-2L-F + 6' 300 PSI, 3/4" ID Hose + 1/2" MPT

Many more combinations with different hose types, hose lengths and hose connectors available. Hose types include Gorilla hose (500 psi), Hercules hose (1,000 psi) and Hydraulic hose (2,000 psi). Hose lengths in excess of 10 feet are not recommended.

Preparing For Operation

Percussion tools create constant vibration when in use. Scalers, chipping hammers, rivet busters, paving breakers, rock drills, etc., should not be directly connected to the compressed air line with quick disconnect couplings. Vibrations cause an inherent danger of having the quick disconnect couplings come loose from the tool. Severe injury could result from an erratic hose swinging about due to the releasing air pressure. Hose whip assemblies help avoid this situation. The hose end of the assembly is screwed directly to the inlet of the tool. The quick disconnect coupling (hose connector) is screwed into the filter / lubricator which is six feet from the tool. This distance allows the operator some room if the coupling were to become disconnected while under pressure. The use of safety lock cables (TX-SLC1 or TX-SLC2) should be used on all hose connectors. A safety lock cable protects the operator by minimizing the amount of travel for an erratic hose.

Filter / lubricators are combination units that provide particulate filtration down to 40 microns of rust, dirt and debris and lubrication for air tools. The integral unit is stronger and less likely to break than using a combination of separate filters and lubricators. The 40 micron filter can be easily cleaned. Remove the filter from the filter housing and wash with soapy water or solvent depending on the substance to be removed. Dry the filter by blowing compressed air from the inside out. Replace the filter if cleaning will not remove foreign substances which cause inadequate air flow.