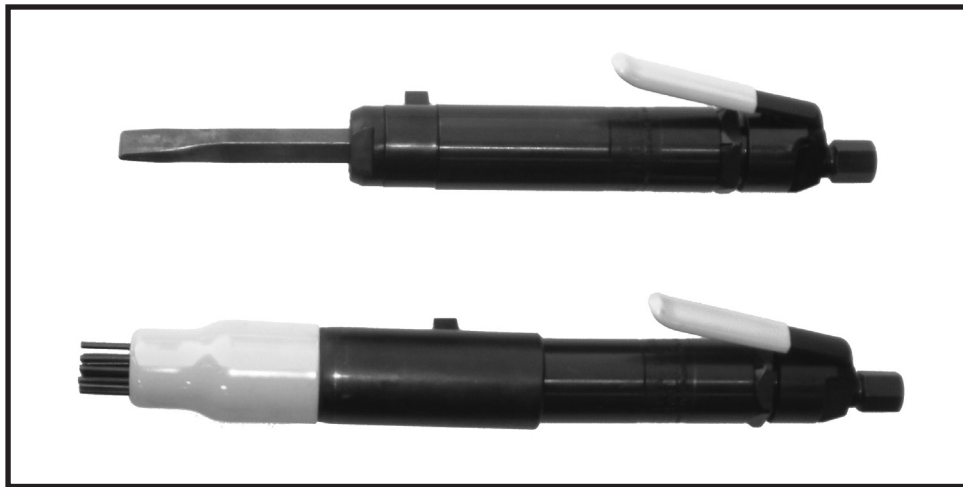


TEXAS PNEUMATIC TOOLS, INC.

Service, Operation AND Parts Manual

TX1B

SAFETY RETAINER TYPE SCALERS



TOOL SPECIFICATIONS

PART #	WEIGHT	SHIPPING WT. BOX OF 6	LENGTH	CFM CONSUMED	BORE	STROKE	BPM	INLET	MINIMUM HOSE SIZE
TX1B-LTCS	4 lbs.	30 lb. 3 oz.	15" w/ chisel	12 CFM	1"	1-1/8"	4600	1/4"NPT	3/8"
TX1B-LTNS	6 lbs.	40 lbs.	17" w/ 5" needles	12 CFM	1"	1-1/8"	4600	1/4"NPT	3/8"
STANDARD WELD FLUX SCALERS: Model TX1B									
STANDARD EQUIPMENT: With Needle Scaler: 1 set 5" Scaler Needles With Weld Flux Scaler: 1 - 7" Flat Chisel									
DESCRIPTIVE SUFFIXES FOLLOWING "B" TO FURTHER DESCRIBE TOOL: LT = Lever Throttle PT = Push Type Throttle NS = Needle Scaler CS = Chisel Scaler									

~ Made in U.S.A. ~

www.airtools.com

Email: tptinfo@airtools.com

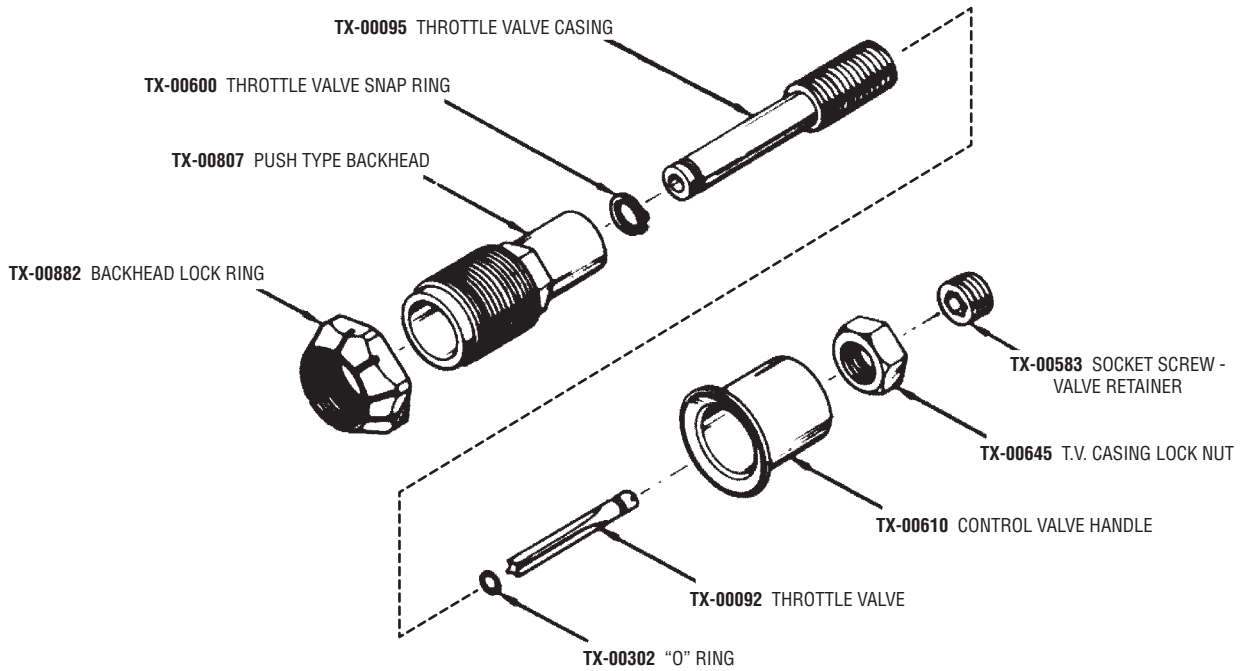
TEXAS
1-800-231-9740
254-587-2533 (Int'l calls)

NEVADA
1-800-858-1222

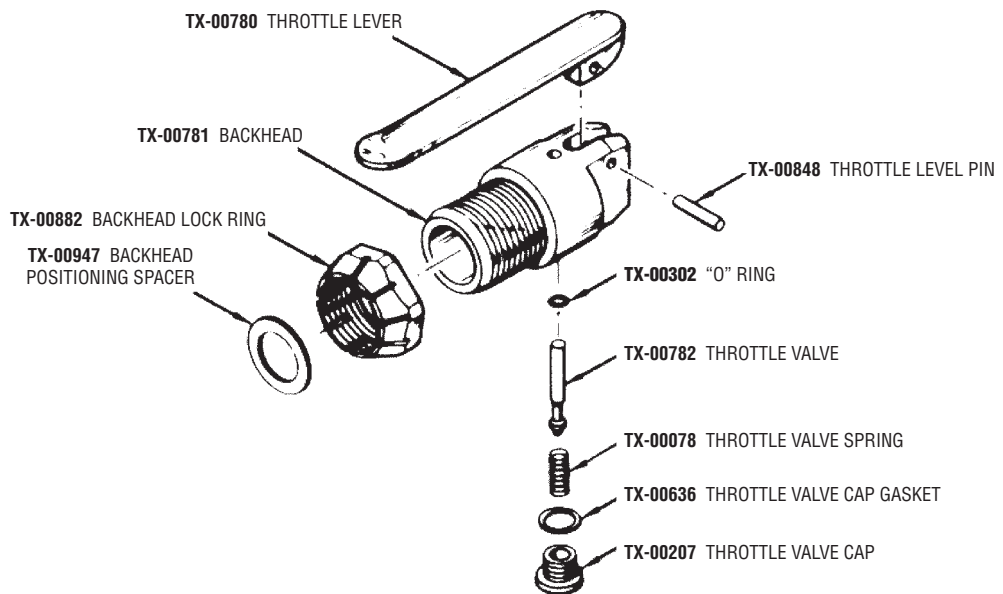
VIRGINIA
1-800-626-1091

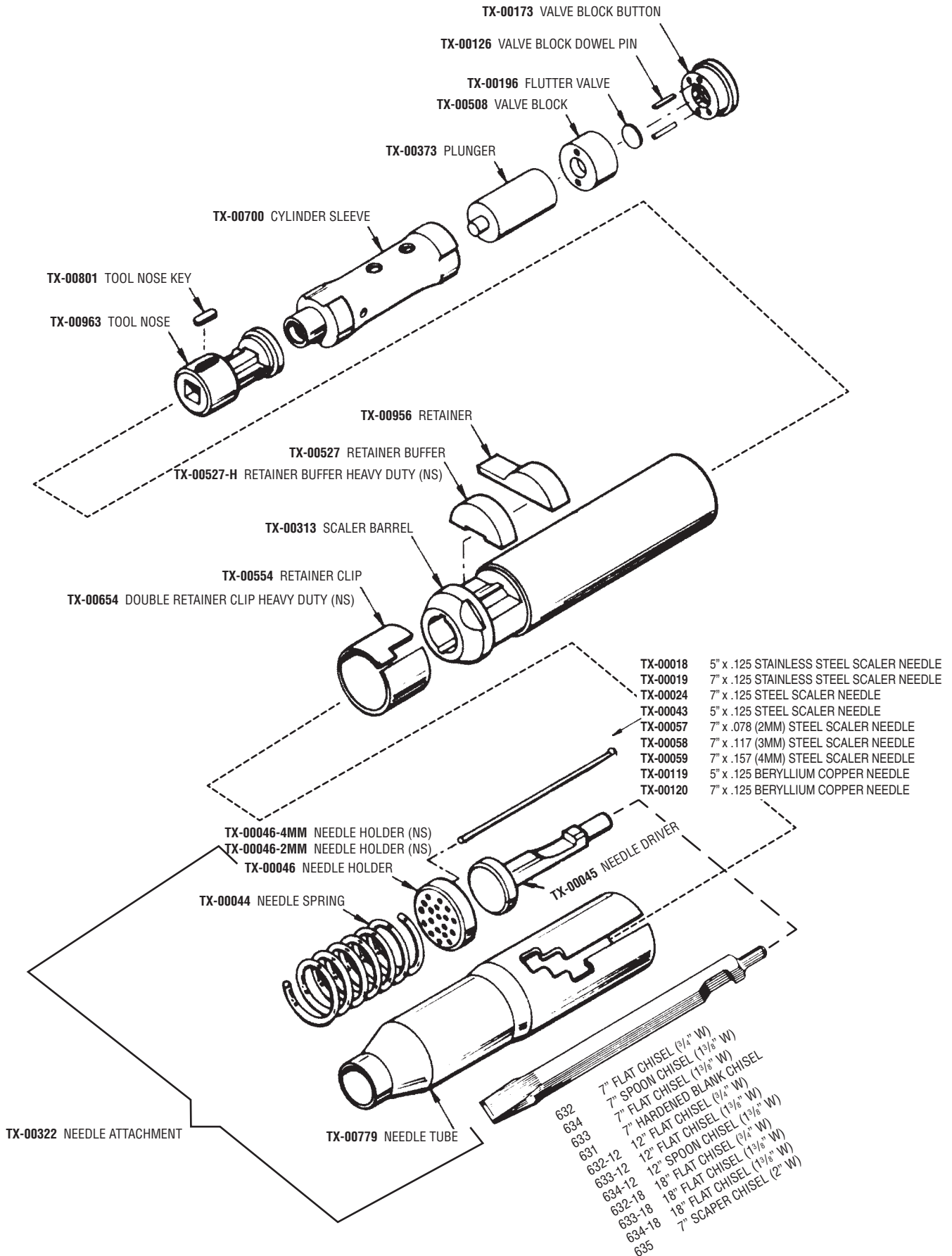
MICHIGAN
1-877-575-5733

**PUSH THROTTLE
BACKHEAD ASSEMBLY
TX-00219**



**LEVER THROTTLE
BACKHEAD ASSEMBLY
TX-00851**





* (NS) Not Shown

Service and Operations

AIR SUPPLY

For efficient performance, a regulated supply of clean, dry air is required (90 p.s.i. at the tool). Most air tools will give superior service if the air is moisture free and lubricated, plus down time will be minimized. If the compressor is pumping excessive water, a cooler or moisture separator (TX-MSS-400 or TX-MSS-800) should be attached to the compressor or air line. A filter, pressure regulator and Texas Pneumatic in-line lubricator (TX-0L) should be part of the air line system to the tool. The air supply line should be a minimum 3/8" I.D. hose with no restrictive couplings or fittings in the hose line. If quick disconnect air couplings are used, they should definitely be separated from the tool by the use of a hose whip (TX-1HW).

LUBRICATION

An in-line lubricator such as the Texas Pneumatic TX-0L is recommended. If an automatic lubricator is not used, it is recommended before using and after 2-3 hours use to pour several drops of oil into the air inlet port. Texas Pneumatic lubricating oil (TX-PL001) or 5 wt. oil of good grade is recommended. A heavy oil will cause loss of power and efficiency. In the matter of preventative maintenance, Texas Pneumatic tool flush (TX-TF001) or similar solvent can be used to flush the tool. Add a couple of teaspoons to the air inlet port and operate the tool for a few seconds. It may be necessary to do this several times. The above should be done anytime the scaler becomes sluggish or erratic or stops working. Flushing of the tool will most likely remove any foreign particles. After flushing and always before storage (this is most important if the air line has excessive moisture), the tool should be re-lubricated to prevent rust which will cause the tool to malfunction.

PREPARING FOR OPERATION

The TX1B is convertible and can be used either as a chisel scaler or as a needle scaler depending on the application. To remove the chisel, pull up on the retainer (TX-00956). This should allow the chisel to slide out of the tool. To place chisel in tool, do the reverse but making sure the chisel slot faces the retainer. The same applies to the needle driver (TX-00045). Always operate the scaler with a chisel or needle driver in the tool and held firmly against the work surface. Damage to the tool nose (TX-00963), cylinder sleeve (TX-00700) and retainer buffer (TX-00527) may occur if the tool is not held against the work surface. The backhead should be checked occasionally to make sure it is tight. On lever throttle scalers, Loctite is used on the throttle valve cap (TX-00207) when assembled at the factory. This should not be in need of attention until the cap is removed for inspection or repair. The use of Loctite is strongly recommended when replacing the cap to prevent it from vibrating loose. The "O" ring (TX-00302) on the throttle valve (TX-00782) should be replaced whenever the tool is inspected, plus the throttle valve spring (TX-00078) and the flutter valve (TX-00196) if they appear worn. It is suggested that high wear parts such as retainers (TX-00956), retainer buffers (TX-00527) and retainer clips (TX-00554) be kept on hand as back-ups. To disassemble the tool, remove the retainer clip (TX-00554), retainer (TX-00956) and retainer buffer (TX-00527). Place the flats on the end of the barrel in a brass jawed vice and then unscrew backhead lock ring (TX-00882) until it is loose; then unscrew backhead (TX-00781) and remove. Valve parts (TX-00173, TX-00508, TX-00196) and plunger (TX-00373) will fall out when tool is turned upside down. To remove tool nose (TX-00963) and cylinder sleeve (TX-00700), it is necessary to press them from the front part of the barrel out through the rear of the barrel. Re-assembly is in reverse order. Use TX1B-TK tool kit to aid with disassembly and re-assembly.

Last, but most importantly, approved safety glasses should be worn at all times when operating this or any other percussion tool.