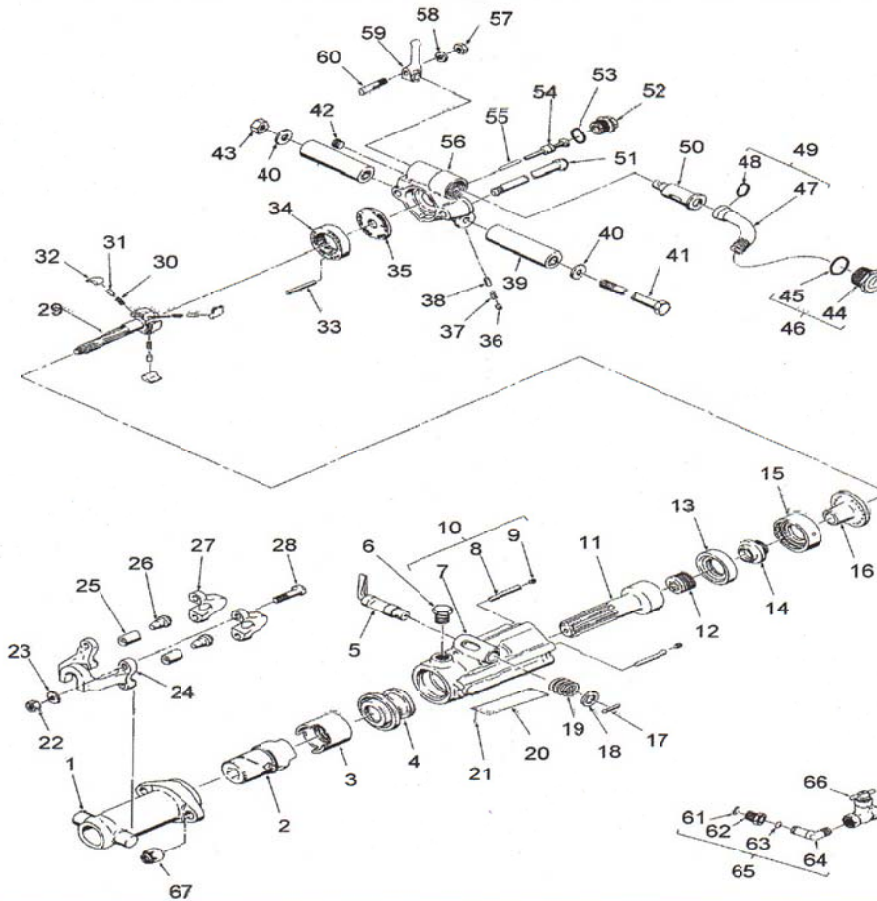


### Parts for American Pneumatic Tool Model 138 45LB Rockdrill



Index	Part No.	Description	Index	Part No.	Description	Index	Part No.	Description
1	18128	Fronthead	23	120	Washer (4)	45	1188	O-Ring
2	159 217 176'17	7/8" Hex X 3-1/4" 1" Hex X 4-1/4" 7/8" Hex X 4-1/4"	24	2103 2593	7/8 & 1" Hex X 4-1/4" 7/8" Hex X 3-1/4"	46	3373	Swivel Nut Assy.
3	18138	Chuck Driver	25	2113	Plunger (2)	47	2488	Swivel
4	18137	Bearing	26	2112	Bumper (2)	48	151	O-Ring
5	356	Valve	27	1647	Housing (2)	49	2054	Swivel Assy.
6	168	Plug	28	1720	Bolt (4)	50	1632	Throttle Valve
7	18126	Cylinder	29	18133	Rifle Bar	51	18143	Bolt (2)
8	1926	Felt	30	1557	Spring (3)	52	1631	Plug
9	7106	Plug	31	891	Plunger (3)	53	2109	Gasket
10	18125	Cylinder Assy.	32	862	Pawl (3)	54	1429	Packing
11	17616	Piston	33	18139	Pin	55	2111 2124	Air Tube-Dry Air Tube-Wet
12	17915	Rifle Nut	34	18132	Ratchet Ring	56	18122 18152	Backhead-Dry Backhead-Wet
13	18136	Front Valve	35	18131	Plate	57	2108	Nut
14	864	Valve	36	111	Plug	58	2107	Washer
15	18135	Rear Valve	37	1634	Spring	59	1633	Handle
16	18134	Guide	38	1883	Plunger	60	2492	Bolt
17	1639	Pin	39	18145	Grip (2)	61	6818	Ring
18	1638	Washer	40	859	Washer (2)	62	3487	Nut
19	1637	Spring	41	18144	Bolt	63	2074	O-Ring
20	17980	Safety Label	42	2602	Plug (Dry Only)	64	2695	Swivel
21	17981	Rivet (4)	43	861	Nut	65	3389	Swivel Assy
22	2332	Nut (4)	44	103	Swivel Nut	66	2116	Valve