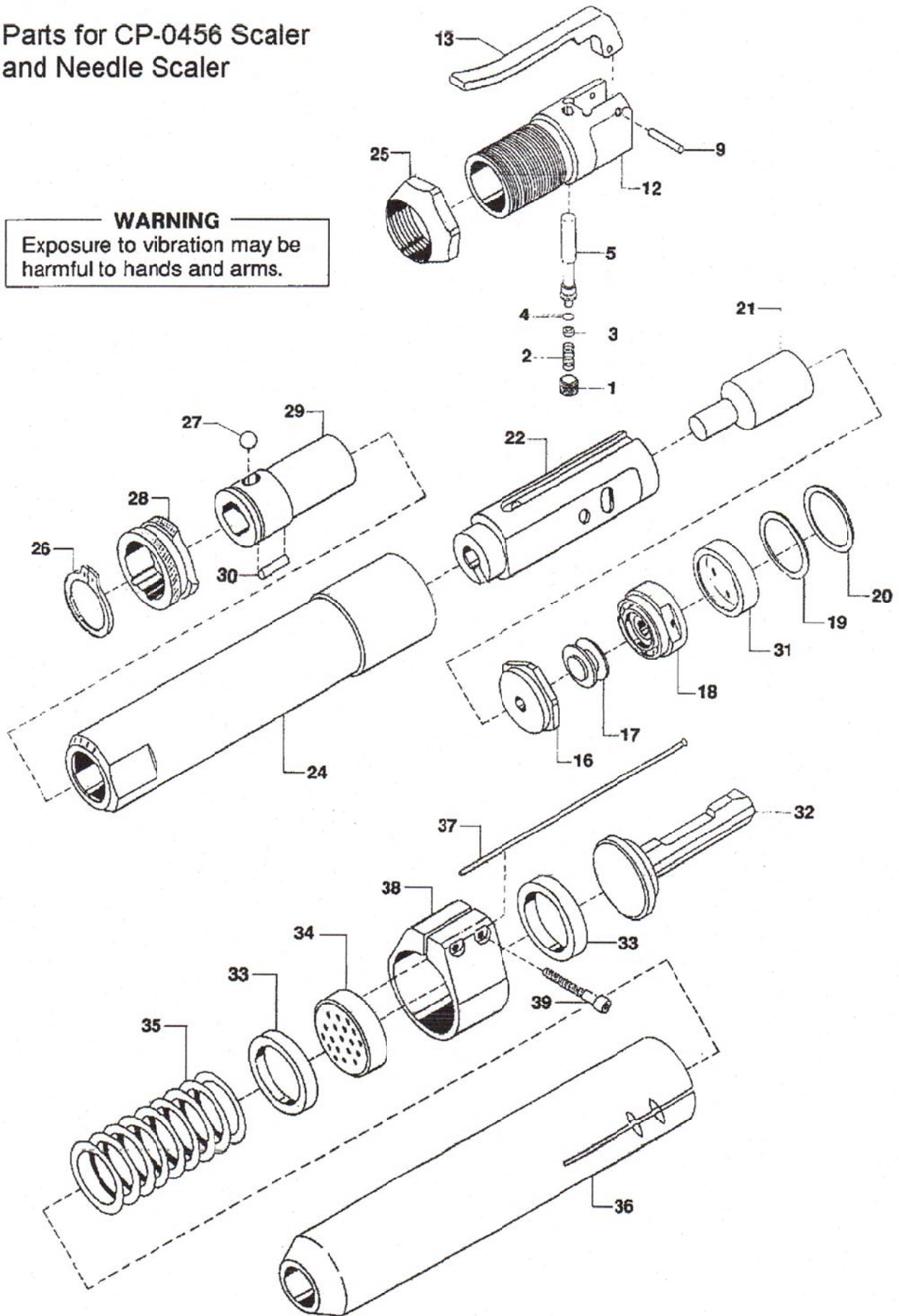


Parts for CP-0456 Scaler and Needle Scaler

WARNING
Exposure to vibration may be
harmful to hands and arms.



Parts for CP-0456 Scaler and Needle Scaler

PART LIST

MODEL NUMBER	DESCRIPTION	QTY	REF. C.P. NO.
1.	Plug - Valve	1	P-009876
2.	Spring Valve	1	P-091585
3.	Cap - "O" Ring	1	P-091584
4.	"O" Ring	1	P-083076
5.	Throttle Valve	1	P-091582
9.	Pin - Throttle Lever	1	P-084043
12.	Backhead Model "B"	1	P-109273
13.	Throttle Lever	1	P-041556
15.	Allen Wrench (Not Shown)	1	P-070320
16.	Case Valve Cycling	1	P-084034
17.	Valve Cycling	1	P-043310
18.	Lid	1	P-043309
19.	Shim .005	1	P-084037
20.	Shim .010	1	P-084038
21.	Piston	1	P-084033
22.	Sleeve - Cylinder	1	P-041557
24.	Cylinder (Inc. sleeve) Model "B"	1	P-0113312
25.	Locknut Backhead Model "B"	1	P-109271
26.	Retaining Ring	1	P-050934
27.	Steel Ball	1	P-070416
28.	Ring Chisel Lock	1	P-088813
29.	Sleeve - Chisel 1/2" Q.O.	1	P-050933
30.	Lock Rubber	1	P-088815
31.	Spacer - Head Model "B"	1	P-125736
32.	Anvil	1	P-100144
33.	Buffer	2	P-100964
34.	Needle Holder	1	P-100145
35.	Needle Spring	1	P-100150
36.	Needle Housing (Round Nose)	1	P-117630
37.	Needle Set 7" 19 Steel Needles	1	P-100146
38.	Clamp - Needle Housing	1	P-117632
39.	Screw - Clamp	2	P-117633
40.	Allen Wrench (Not Shown)	1	P-070483

Part #	Description
S-4617	Head Block Assembly (Includes Index No.'s 1, 2, 3, 4, 5, 9, 12, 13)
S-4105	7" Needle Attachment with Round Housing (Includes Index No.'s 32, 33, 34, 35, 36, 37, 38, 39)