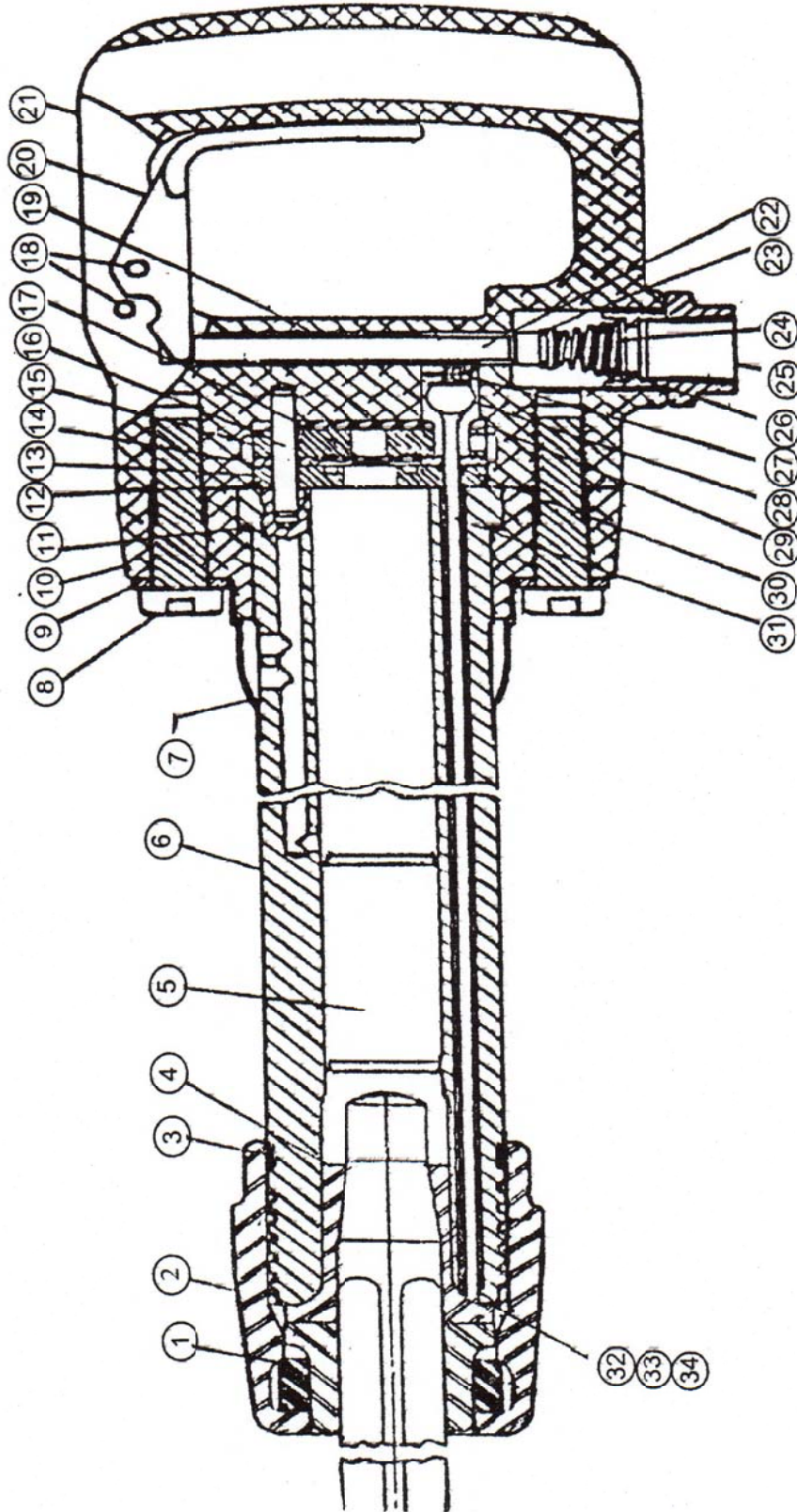



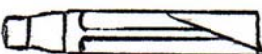




CP-4180 Heavy Busters Model A & U



CP- 4180 Heavy busters Model "A" & "U"

| Index No. | CP Part No. | Description | No. Reqd | Index No. | CP Part No. | Description | No. Reqd |
|-----------|-------------|---|----------|-----------|-------------|--------------------|----------|
| 1 | P072334 | Eumper | 1 | 17 | P142921 | Valve-Cycling | 1 |
| 2 | P144719 | Retainer-Chisel | 1 | 18 | P133757 | Pin-Thr. Lever (2) | 2 |
| 3 | P145374 | Ring-Retainer | 1 | 19 | P144138 | Bushing-Thr. Valve | 1 |
| 4A | P072333 | Lower Sleeve | 1 | 20 | F815167 | Lever-Throttle | 1 |
| 4B | P144720 | Upper Sleeve | 1 | 21 | P144481 | Handle | 1 |
| 5 | P144721 | Piston | 1 | 22 | P144202 | Valve-Throttle | 1 |
| 6 | P144715 | Cylinder, 11" | 1 | 23 | P083071 | O-Ring (-011) | 1 |
| 6 | P144716 | Cylinder, 8" | 1 | 24 | C036909 | Strainer-Air | 1 |
| 7 | P145268 | Deflector-Exhaust | 1 | 25 | C092292 | Bushing-Inlet | 1 |
| 8 | P144717 | Screw-Cap | 2 | 26 | C077054 | Spring-Thr. Valve | 1 |
| 9 | P144783 | Washer, Nord-Lock (2Per bolt, cam face to cam face) | 4 | 27 | P144709 | Spring-Shut-Off | 1 |
| 10 | P144482 | Flange-Cylinder | 1 | 28 | C043154 | Valve-Shut-Off | 1 |
| 11 | P144723 | Ring-Clamp | 1 | 29 | P144712 | Seat-Shut-Off | 1 |
| 12 | C125868 | O-Ring (-033) | 1 | 30 | C087316 | O-Ring (-006) | 1 |
| 13 | P144714 | Lid-Lower-Valve | 1 | 31 | P144710 | Rod-Shut-Off (11") | 1 |
| 14 | P144722 | Case-Valve | 1 | 31 | P144711 | Rod-Shut-Off (8") | 1 |
| 15 | P144713 | Lid-Upper-Valve | 1 | 32 | P145327 | Spring-Push | 1 |
| 16 | P144147 | Pin-Dowel (2) | 2 | 33 | P145328 | Plunger-Push | 1 |
| | | | | 34 | P145329 | Plug | 1 |

| ARROW TYPE JUMBO CHISELS | | | | | | | | | | | | | | | | | | | | | | | | | | | | | |
|---|---|---|------------|------------|--------|----------|------|--------|----------|------|--------|----------|------|--------|----------|------|-----|----------|------|--------|----------|------|-----|----------|----|--------|----------|----|-----|
|  MOIL POINT P-071911 12" Long |  CUTTING (TIGHT RIVETS) P-071006 9 3/4" Long CUTTING (LOOSE RIVETS) P-071005 9 3/4" Long |  BACKING OUT PUNCHES | | | | | | | | | | | | | | | | | | | | | | | | | | | |
|  RIPPER P-071010 9" Long | CHISEL SHANK DIMENSIONS | | | | | | | | | | | | | | | | | | | | | | | | | | | | |
|  DRIFT PIN DRIVER P-098822 7 1/4" Long |  | <table border="1"> <thead> <tr> <th>Symbol No.</th> <th>Rivet Size</th> <th>Length</th> </tr> </thead> <tbody> <tr> <td>P-071587</td> <td>1/2"</td> <td>9 3/4"</td> </tr> <tr> <td>P-071007</td> <td>5/8"</td> <td>9 3/4"</td> </tr> <tr> <td>P-071008</td> <td>3/4"</td> <td>9 1/2"</td> </tr> <tr> <td>P-080954</td> <td>3/4"</td> <td>12"</td> </tr> <tr> <td>P-071009</td> <td>7/8"</td> <td>9 1/2"</td> </tr> <tr> <td>P-080955</td> <td>7/8"</td> <td>12"</td> </tr> <tr> <td>P-072216</td> <td>1"</td> <td>9 1/2"</td> </tr> <tr> <td>P-080956</td> <td>1"</td> <td>12"</td> </tr> </tbody> </table> | Symbol No. | Rivet Size | Length | P-071587 | 1/2" | 9 3/4" | P-071007 | 5/8" | 9 3/4" | P-071008 | 3/4" | 9 1/2" | P-080954 | 3/4" | 12" | P-071009 | 7/8" | 9 1/2" | P-080955 | 7/8" | 12" | P-072216 | 1" | 9 1/2" | P-080956 | 1" | 12" |
| Symbol No. | Rivet Size | Length | | | | | | | | | | | | | | | | | | | | | | | | | | | |
| P-071587 | 1/2" | 9 3/4" | | | | | | | | | | | | | | | | | | | | | | | | | | | |
| P-071007 | 5/8" | 9 3/4" | | | | | | | | | | | | | | | | | | | | | | | | | | | |
| P-071008 | 3/4" | 9 1/2" | | | | | | | | | | | | | | | | | | | | | | | | | | | |
| P-080954 | 3/4" | 12" | | | | | | | | | | | | | | | | | | | | | | | | | | | |
| P-071009 | 7/8" | 9 1/2" | | | | | | | | | | | | | | | | | | | | | | | | | | | |
| P-080955 | 7/8" | 12" | | | | | | | | | | | | | | | | | | | | | | | | | | | |
| P-072216 | 1" | 9 1/2" | | | | | | | | | | | | | | | | | | | | | | | | | | | |
| P-080956 | 1" | 12" | | | | | | | | | | | | | | | | | | | | | | | | | | | |