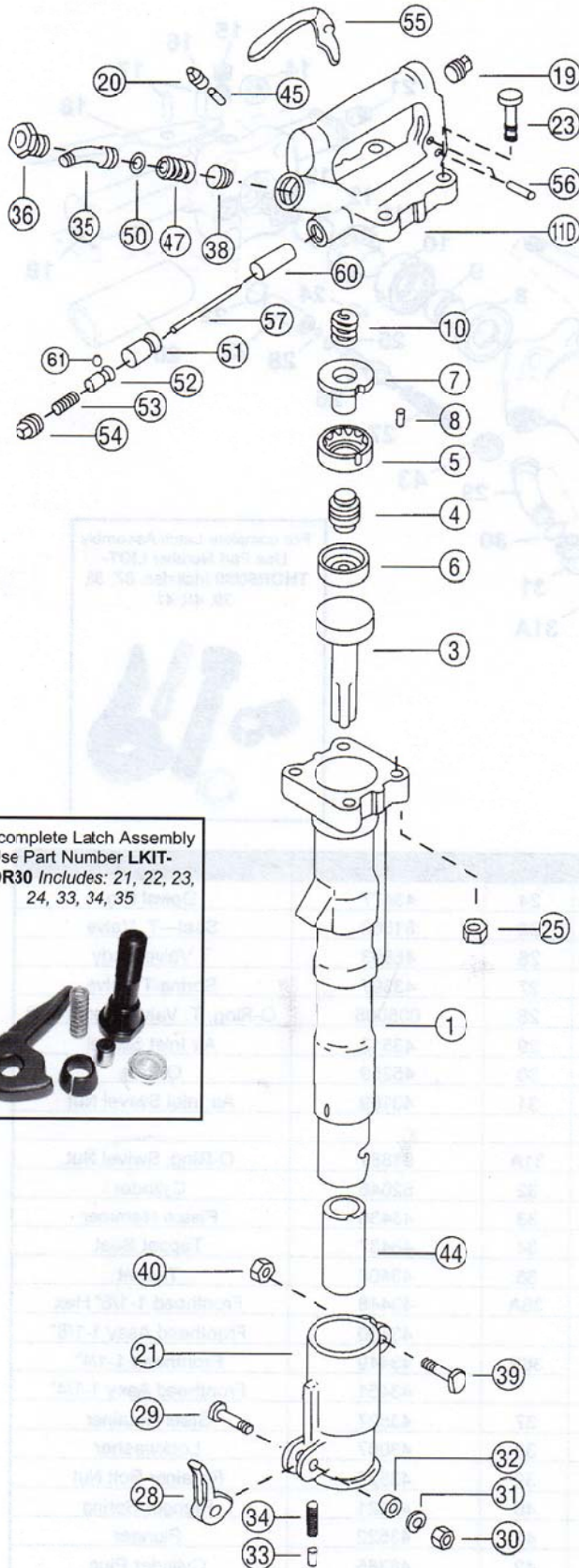


**THOR MODEL 18 DIGGER (30 lbs)**



For complete Latch Assembly  
Use Part Number LKIT-  
THOR30 Includes: 21, 22, 23,  
24, 33, 34, 35



Index No	Part No	Description	Rqd
1	43026	Cylinder	1
3	43028	Piston	1
4	43038	Valve	1
5	43037	Valve Chest	1
6	43036	Valve Seat	1
7	43039	Valve Guide	1
8	43043	V. Chest Pin	1
10	43042	Spring	1
11-D	43041	Eack Head-Bare	1
19	57674	Oil Plug	1
20	68073	Oil Control Plug	1
21	43784	Front Head- Bare	1
23	49020	Back Head Bolt	4
25	91126	Back Bolt Nut	4
28	43784	Steel Retainer	1
29	43787	Retainer Bolt	1
30	43790	Retainer Bolt Nut	1
31	43143	Lock Washer	1
32	43786	Retainer Ccne Bush	1
33	43788	Retainer Plunger	1
34	43785	Retainer Spring	1
35	43791	Inlet Swivel Pipe	1
36	43792	Swivel Nut	1
38	43044	Inlet Screen	1
39	47947	Front Head Bolt	1
40	91126	Nut	1
44	43025	Hex Bushing 1" X 4-1/4"	1
	43024	Hex Bushing 7/8" X 3-1/4"	1
45	43473	Oil Control Felt	1
47	47754	Air Inlet Spring	1
50	91108	C-Ring—Swivel	1
51	80361	Bushing, T. Valve	1
52	43050	T. Valve w/ O-Ring	1
53	2502	T.V. Spring	1
54	57674	T. V. Cap	1
55	61963	T. V. Lever	1
56	61964	T. Lever Pin	1
57	71683	T. V. Pin	1
60	86852	T. Valve Guide	1
61	43059	T. V. O-Ring (optional)	1