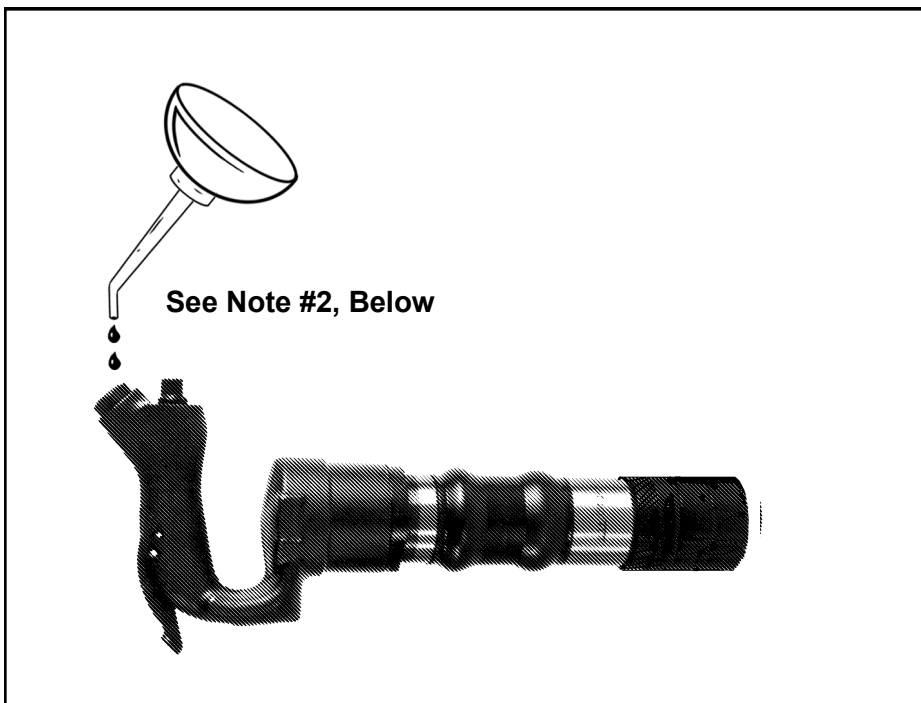
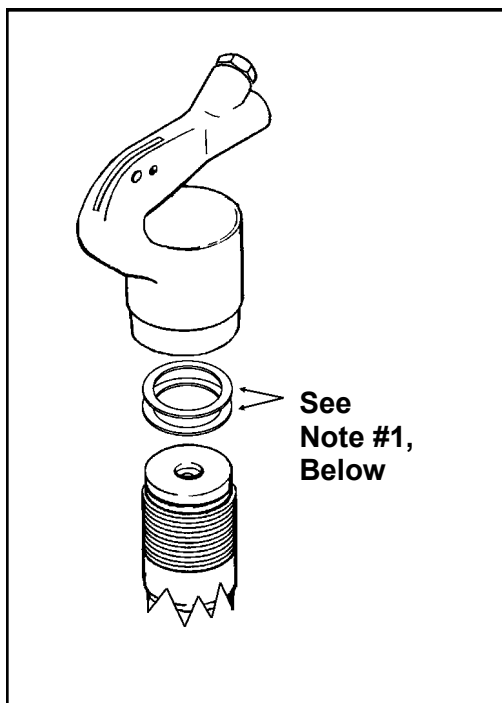


INDEX	PART	DESCRIPTION
1	9245-9969-00	BARREL 3"
2	9245-9963-10	LOCK RING BUMPER
3	9245-9963-30	PISTON 3"
4	9245-9963-50	PLATE VALVE
5	9245-9963-60	BUMPER VALVE SEAT
8	9245-9963-70	VALVE DOWEL (2)
9	9245-9963-80	PUSH PIN
10	9245-9963-90	PUSH PIN BUSHING
17	9245-9964-00	THROTTLE LEVER
18A	9245-9964-10	LEVER STOP PIN
18B	9245-9964-20	LEVER FULCRUM PIN
19	3310-0933-00	RETAINER O-RING
22	9245-9969-11	NEOPRENE BUMPER
25	9245-9964-40	EXHAUST DEFLECTOR (2pc)
28	9245-9969-10	SCREW-ON RETAINER
	9246-0208-77	SCREW ON BALL RETAINER (OPT.)
31	9245-9971-00	HANDLE LOCK RING
32	9245-9964-60	HANDLE BARE
NS	9245-9964-70	HANDLE COMPLETE
33	9245-9964-80	THROTTLE VALVE BALL
NS	9245-9965-00	SWIVEL 7/8 x 24"
	9245-9965-10	SWIVEL 3/8 NPT
36	9245-9965-20	HANDLE BUSHING
39	9245-9965-30	THROTTLE VALVE SPRING
40	9245-9965-40	THROTTLE VALVE PLUG
41	9245-9965-50	FRONT VALVE SPACER HOUSING
42	9245-9965-60	UPPER VALVE PLATE
43	9245-9965-70	INTER LOCK RING
44	9245-9965-80	BUSHING FOR .680 ROUND SHANK
	9245-9965-90	BUSHING FOR .580 HEX SHANK

SERVICE NOTE: When re-tightening the handle, the **(2) piece inter lock ring 9245-9965-70** must be replaced or the handle will not lock down properly and may vibrate loose during operation. Also apply a small amount of thread locking compound to the barrel threads before the **handle lock ring 9245-9964-50** is tightened in place.

WHEN ORDERING REPLACEMENT PARTS, FURNISH THE MODEL NUMBER(S) AND SERIAL NUMBER (S) OF YOUR TOOLS.



General Safety Rules

- Before using the tool, read through these instructions carefully.
 - Also read the Red Safety Instructions thoroughly.
 - For your safety, the tool must not be modified.
 - Use approved personal safety equipment.
 - Use Atlas Copco Genuine Parts only.
- Always replace worn or damaged warning stickers.

Notes:

- 1: Nylon locking rings(2) must be replaced each time the handle is removed.
- 2: Add 5ml of oil into the air inlet, twice per shift. See table for recommended lubricants.

Safety Warnings—Symbols in these Instructions

Pay special attention to sections in these documents dealing with safety.
If you see either of these symbols:



WARNING! A danger, or hazardous procedure which CAN lead to serious injury, or worse.



CAUTION A risk, or risky procedure which CAN lead to injury, or damage to the tool.

Before Starting

Make sure you have:

- the correct hose size and length.
- checked for damage to air line and couplings.
- all air connectons correctly tightened.
- the correct operating pressure (max 100 psi). Higher pressure can be dangerous and damage the tool.
- blown the air line clean.
- oiled the hammer.
- a steel with a **round collar** and the correct shank size.
- checked that the steel is securely latched. Repair any tool with poor retention.
- use proper safety gear: boots, helmet, gloves and ear protection are the minimum.

Recommended lubricants

Lubricant	Temperature range °C	Viscosity grade
Synthetic AIR-OIL	-30 to +50	ISO VG 46-100
Mineral Oil	-20 to +15	ISO VG 32-46
Mineral Oil	+15 to +35	ISO VG 46-100

Atlas Copco TEX 318



Specifications -TEX 318

Net Weight	6.4 kg	14 lbs
Length	387 mm	15.25 in
Bore	29 mm	1.125 in
Stroke	102 mm	3 in
Blows per minute	2200	2200
Chuck Sizes	14.8 mm Hex	.580 in Hex
	17.5 mm Rnd	.680 in Rnd
Air Inlet (NPT)	10 mm	3/8 in
Air Consumption*	.89 m ³ /m	31.5 cfm

Maintenance

For best results and security:

- always check that hammer is disconnected from the air hose before removing steel
- clean and inspect hammer every 3 months.
- always keep the hammer well lubricated during work and storage.
- flush the hammer with paraffine-based lubricant before long-term storage. Follow with a normal lubrication and a short period of operation. Always store in a dry place.

Operation

Make sure you have:

- steels sharpened correctly for the job.
- correct posture, feet spread and away from the working end of the tool.
- both hands clear of the steel, especially when using the tool in an elevated position.
- the steel in contact with the work surface before pressing the trigger.
- blank-firing will cause premature retainer wear.
- follow local laws and safety procedures.

Optional Equipment

The following optional equipment is available from Atlas Copco:

- MANTEX lightweight airhose
- VAM water separators
- Steel Accessories