

RA29



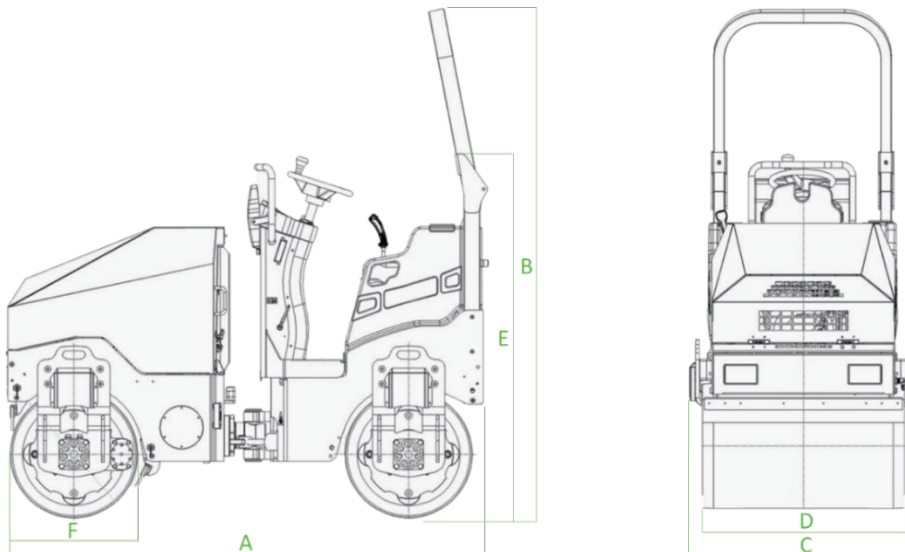
RA29 Technical Specifications

Performance Data

Operating Weight	6116 lb
Drum Thickness	0.5 in
Vibration Frequency	4200 vpm
Centrifugal Force (front drum)	6800 lbf
Travel Speed with Vibration	7.5 mph
Gradeability Maximum	40%
Water Tank Capacity	52.8 gal

Engine

Engine Manufacturer	Yanmar
Engine Model	3TNV88
Cooling	liquid-cooled
Number of Cylinders	3
Output Power	36 HP
Operating Speed	2500 rpm
Fuel Tank Capacity	10.6 gal



Dimensions

Overall Length	A	98.2 in
Overall Height	B	96 in
Overall Width	C	51.6 in
Drum Width	D	47.2 in
Height ROPS Folded	E	70 in
Drum Diameter	F	27.6 in

Standard Equipment

- Hydrostatic drive, vibration, and articulated steering
- Oscillating articulation joint
- Pressurized water system
- Dual multi-function travel levers
- Selectable front & rear vibration
- Folding ROPS
- Back-up alarm
- Strobe beacon
- Work lights front & rear

Optional Equipment

- Parking brake
- Seat belt
- Hour meter
- Fuel gauge
- Anti-vandalism console
- Comfort Awning Kit
- Hydraulic cutting edge with pressurized water
- Mirror Kit