

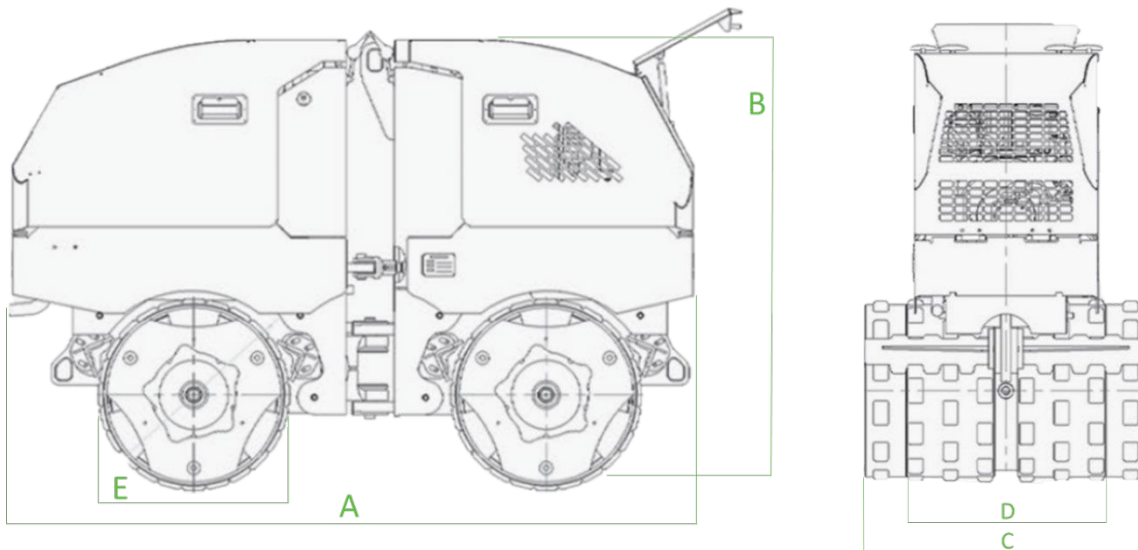
RT16



RT16 Technical Specifications

Performance Data	RT16
Operating Weight	4035 lb
Vibration Frequency	2520 vpm
Centrifugal Force	15,300 lbf
Travel Speed with Vibration	0.8 – 1.5 mph
Gradeability Maximum	50%
Drum Thickness	.4"
Remote	Radio

Engine	
Engine Manufacturer	Yanmar
Engine Model	3TNV80F - Diesel
Cooling	liquid -cooled
Number of Cylinders	3
Output Power	20 HP
Operating Speed	2400 rpm
Fuel Tank Capacity	8 gal



Dimensions		
Overall Length	A	75 in
Overall Height	B	51 in
Overall Width (with drum extensions)	C	33.5 in
Overall Width (without drum extensions)	D	23.5 in
Drum Diameter	E	20.5 in
Turning Radius (Outer)		66 in